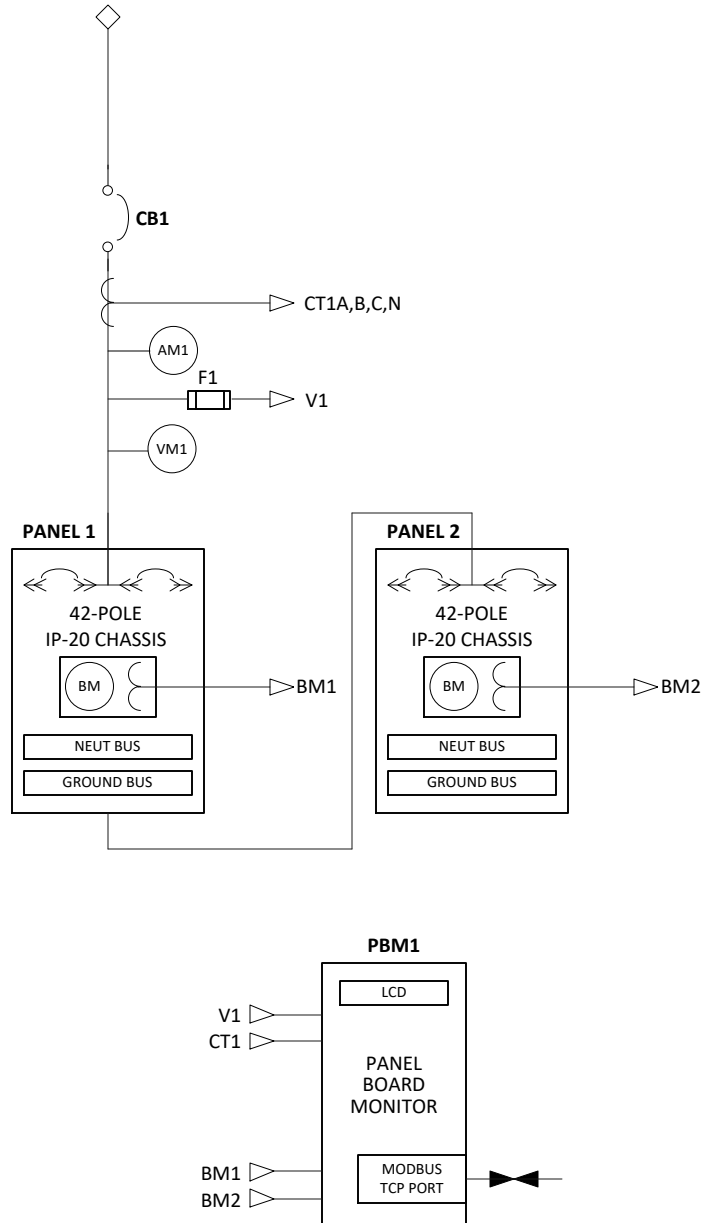


Series 70 eRPP-SL2

1-Input / 2-Panel / Series (SR)

Mains and Branch Circuit Monitoring (MCM and BCM)

120/208V, 3-phase, 4-wire + Ground



INPUT TERMINALS (Two-hole Compression Lug Terminals)

PHASE RATING (A,B,C)	400A
NEUTRAL RATING (N)	800A
GROUND RATING (G)	400A

CIRCUIT BREAKER DATA

REF NO	CB1
TYPE	Electronic Trip (LS/I)
RATING	400AF / 400AT, 100%
WITHSTAND	65kAIC @ 240VAC (per UL ratings)
MOUNTING	Fixed
SHUNT TRIPS	No
AUX CONTACTS	No
MANUFACTURER	ABB
BREAKER SERIES	Tmax T5

PANEL BOARD DATA

PHASE RATING (A,B,C)	400A
NEUTRAL RATING (N)	400A
GROUND RATING (G)	400A

ADDITIONAL INFORMATION:

- Neutral Monitoring
- Branch CT Ratings: 60A and 100A
- Display Type: Advanced: 800x600 pixels, 16-bit color

LEGEND

- CURRENT METERING POINT
- VOLTAGE METERING POINT
- BRANCH CURRENT MONITOR
- PANEL BOARD MONITOR WITH ETHERNET PROVISION
- PANEL BOARD MONITOR SENSING SIGNAL



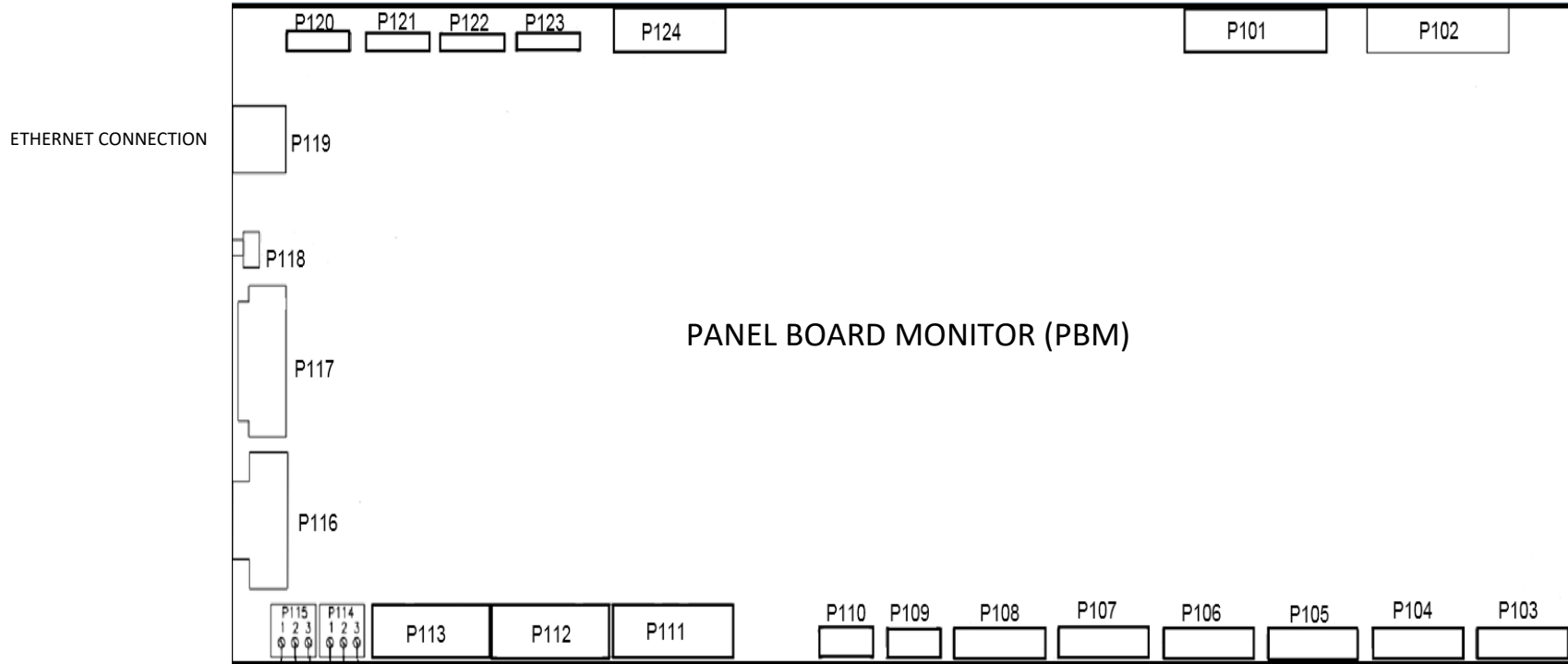
PAGE DESCRIPTION
ONE LINE DIAGRAM, eRPP-SL2

JOB	DRAWN	DATE 6/20/2023	DWG NO eRPPSL2000035	REV A
	CHK	DATE		
	APPR	DATE	SHEET 1 OF 2	

PANEL BOARD MONITOR (PBM)



SYMBOL FOR CLOSED CONTACTS



PANEL BOARD MONITOR (PBM)

P115
SUMMARY ALARM

SUMMARY ALARM



NO SUMMARY ALARM



NOTES:

1. TERMINAL NUMBERS REFER TO TERMINALS ON PANEL BOARD MONITOR (PBM). THE PBM IS LOCATED IN THE CONTROLS/MONITORING SECTION. REFER TO THE MECHANICAL OUTLINE DRAWING FOR EXACT LOCATION.
2. TERMINALS SUITABLE FOR AWG 20-16 STRANDED COPPER WIRE. MAXIMUM ONE WAY LENGTH FOR #16: 500 ft (152 m).
3. ALL WIRING TO BE IN ACCORDANCE WITH THE NATIONAL ELECTRIC CODE AND ALL LOCAL CODES. CONTROL AND STATUS WIRING MUST BE RUN AND IN SEPARATE CONDUIT FROM POWER WIRING.
4. SUMMARY ALARM CONTACTS ARE DRY, POTENTIAL-FREE CONTACTS. CUSTOMER REQUIREMENTS ARE AS FOLLOWS:
 - a. Open circuit voltage \leq 120 V RMS AC.
 - b. Closed circuit current \leq 1 A RMS.

		PAGE DESCRIPTION		
		ONE LINE DIAGRAM, eRPP-SL2		
JOB	DRAWN	DATE 6/20/2023	DWG NO	REV
	CHK	DATE	eRPPSL2000035	A
	APPR	DATE	SHEET 2 OF 2	