

CLEARANCES:
 FRONT: 36IN [910mm]
 LEFT: 1IN [25mm]
 RIGHT: 1IN [25mm]
 REAR: 0IN
 TOP: 18IN [450mm]

ESTIMATED WEIGHT:
 340# [150kg]
 (W/O PB CB'S)

REVISIONS				
ECN	REV	DESCRIPTION	DATE	APPROVED
-	A	NEW RELEASE	4/19/2021	PTP

Notes:

1. Front access only required for operation and servicing of the eRPP-SLI. Top access only available for input. Top and bottom access is available for output.
2. See Sheet 2 for descriptive index of components.
3. See Sheet 3 for cable access areas and mounting locations.
4. See Sheet 4 for details of customer electrical connections.
5. See Sheet 5 for available conduit landing plate.
6. See Sheet 6 for 42-circuit panelboard details.
7. 3-Point latch system provided for the external door.
8. Provision at the top of the cabinet is available for standard 1/2-13 UNC-2A eyebolts for transport purposes. Eyebolts are not provided.
9. See Electrical One-Line Diagram for additional information.

Copyright © 2020, LayerZero Power Systems, Inc.

UNLESS OTHERWISE SPECIFIED
 DIMENSIONS ARE IN INCHES
 DIMENSIONS IN [] ARE IN mm
 DO NOT SCALE DRAWING

TOLERANCES:
 .XX ± .03
 .XXX ± .010
 ANGULAR ± .1/2

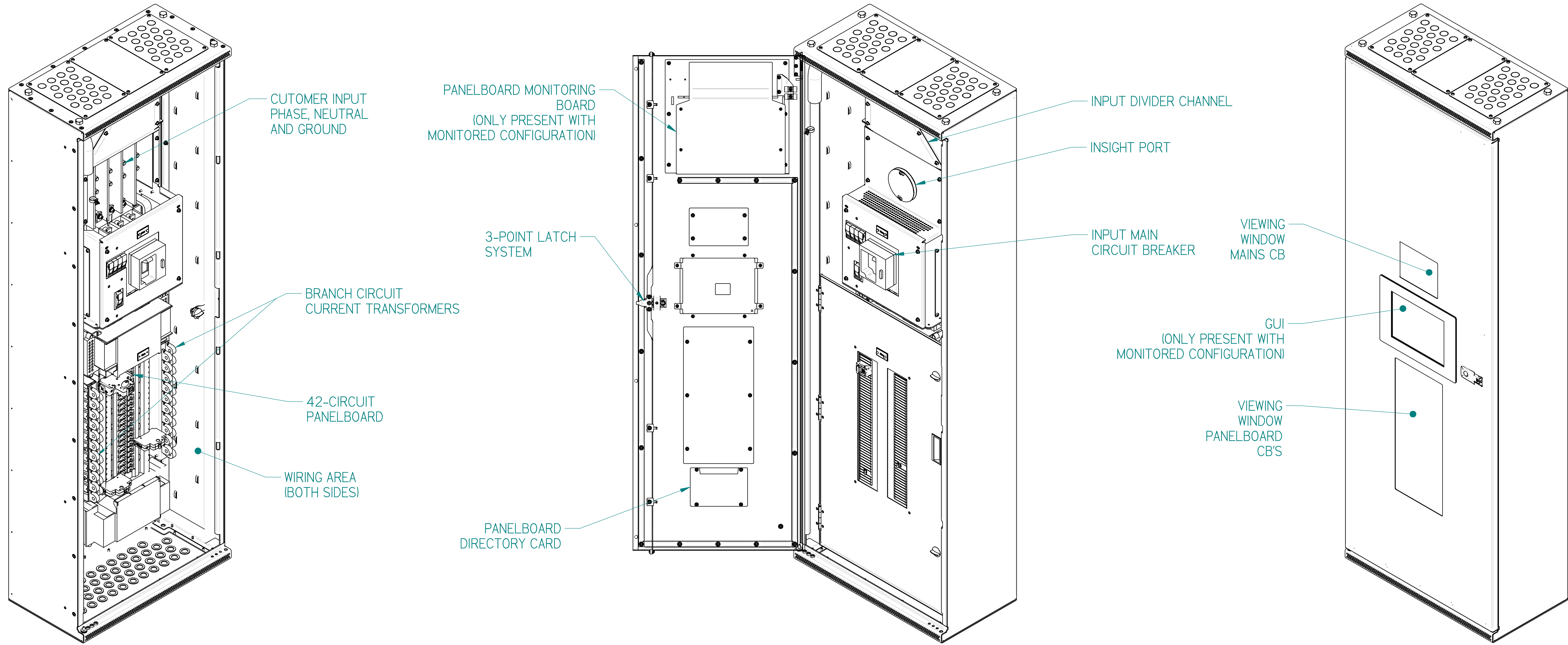
FIRST ANGLE PROJ.

OUTLINE, MOUNTING, INSTALLATION DIAGRAM,
 eRPP 120/208V 400A (MAX) 3-PHASE, 4-WIRE
 INPUT / 42 CIRCUIT PANEL BOARD

DWN PTP	DATE 4/19/2021	SIZE D	FSCM NO.	DWG NO. 94-MS-01109201	REV A
CHK NEM	DATE 4/19/2021	SCALE 1:1		94-MS-01109201-ASHT1	SHEET 1 of 6
APVD PTP	DATE 4/19/2021				

REF 94-MS-406669XX

REVISIONS				
ECN	REV	DESCRIPTION	DATE	APPROVED
-	A	NEW RELEASE	4/19/2021	PTP



Copyright © 2020, LayerZero Power Systems, Inc.

UNLESS OTHERWISE SPECIFIED
DIMENSIONS ARE IN INCHES
DIMENSIONS IN [] ARE IN mm
DO NOT SCALE DRAWING

TOLERANCES:
.XX ± .03
.XXX ± .010
ANGULAR ± .1/2

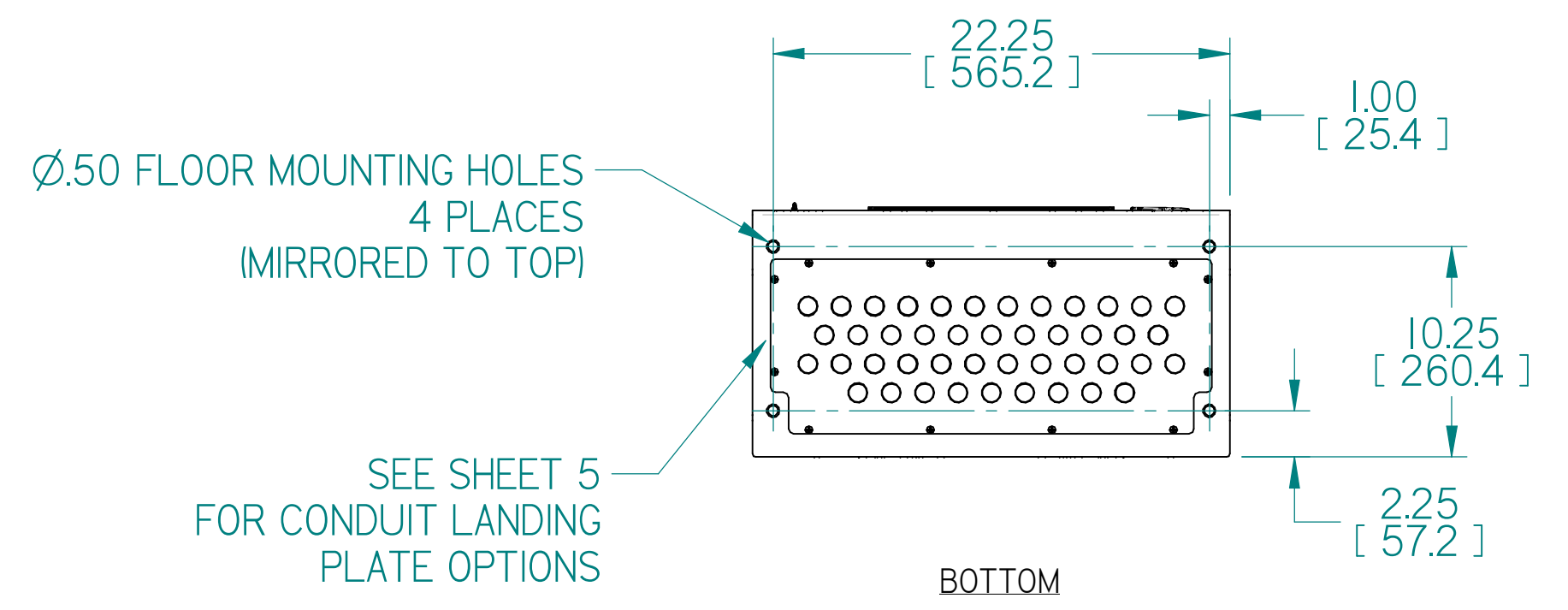
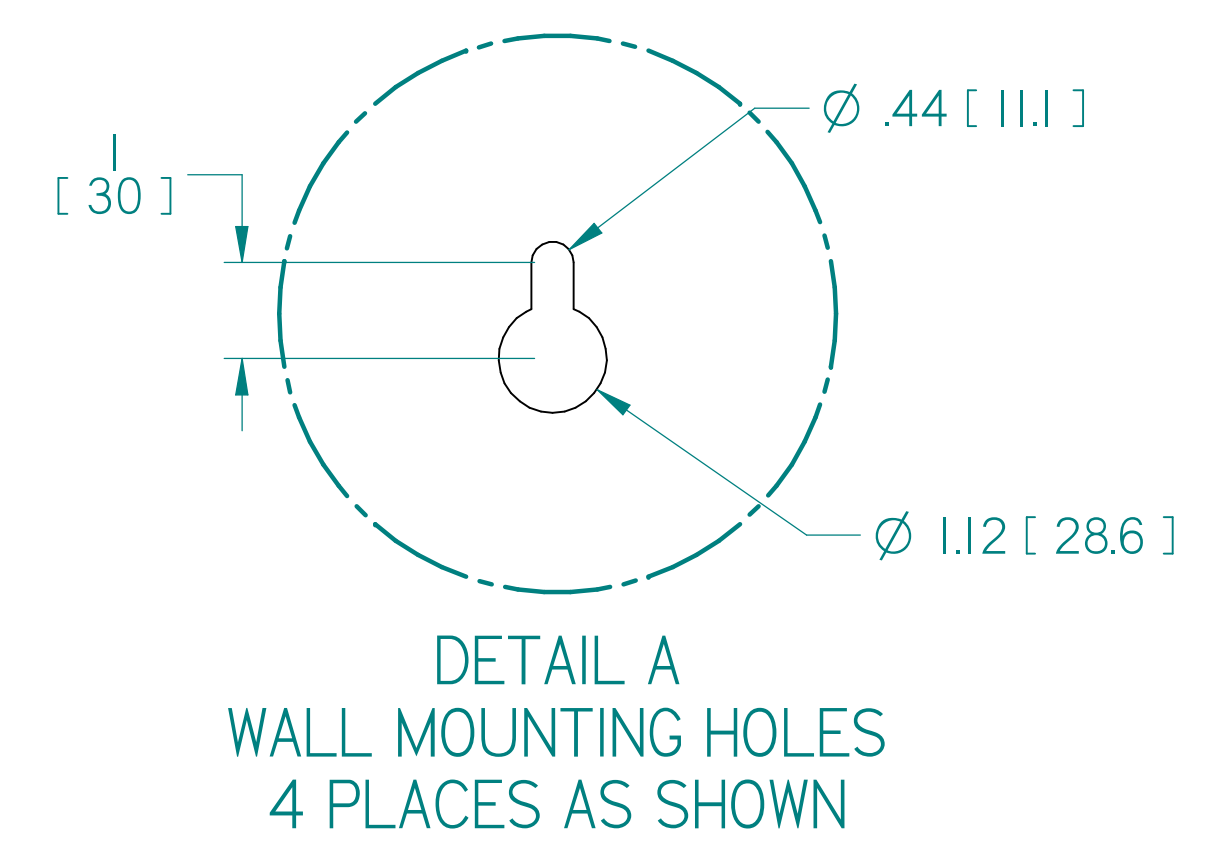
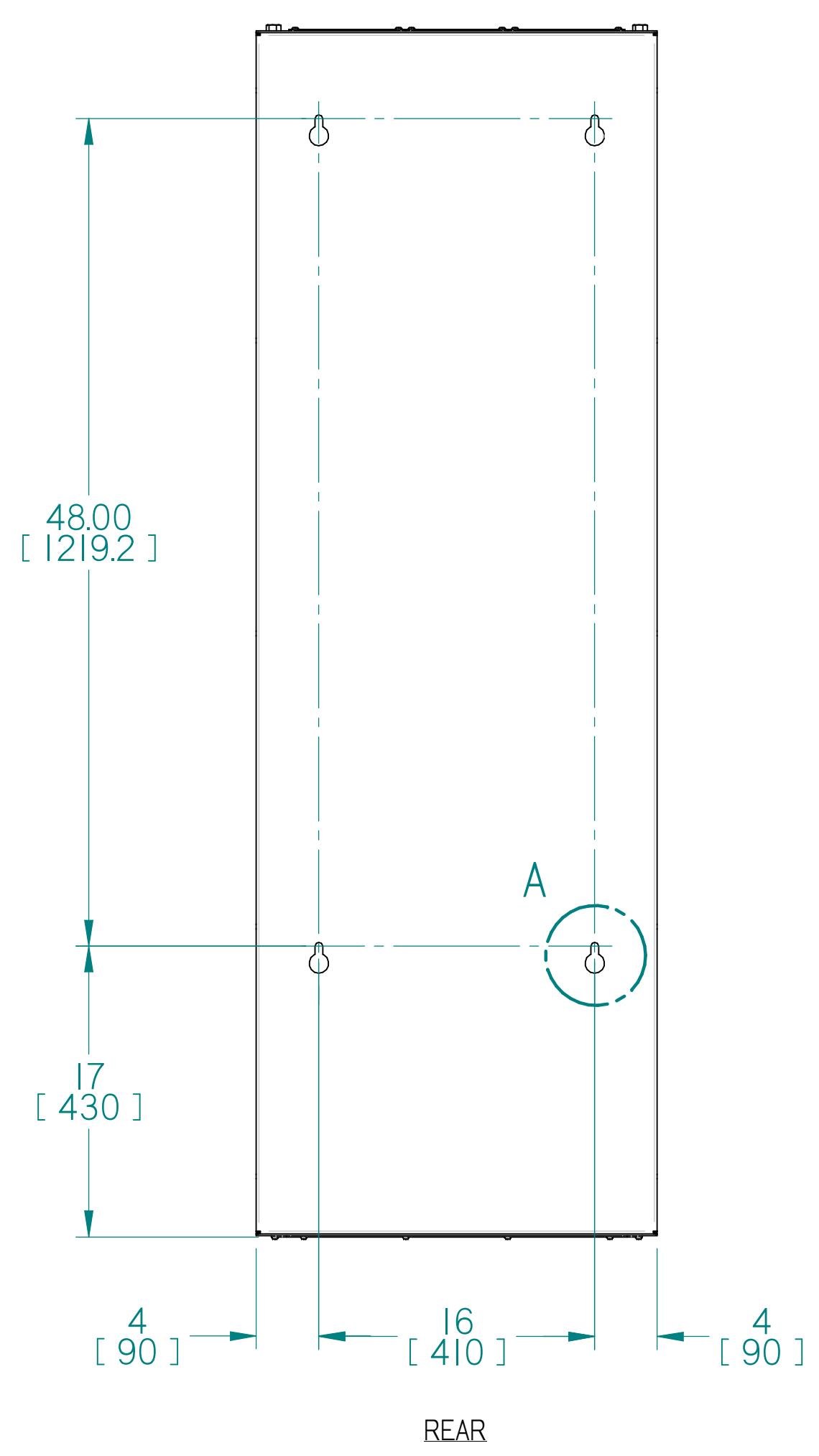
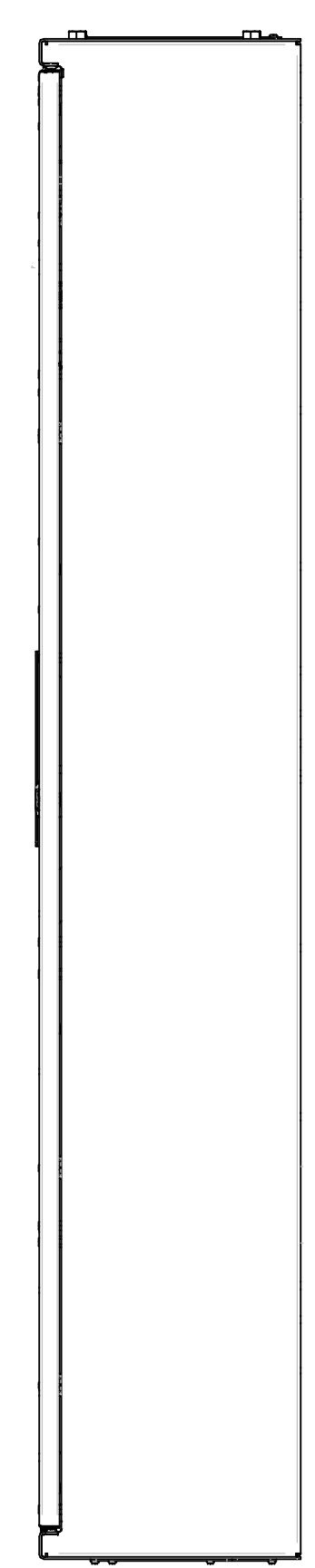
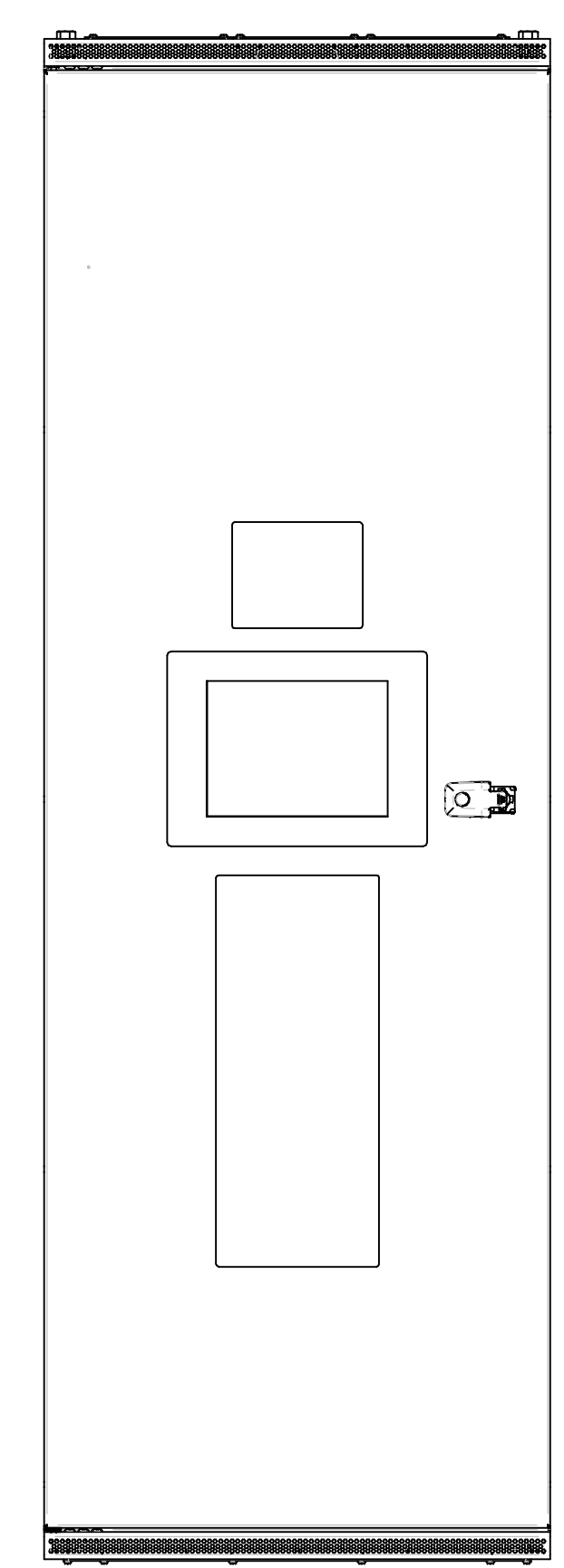
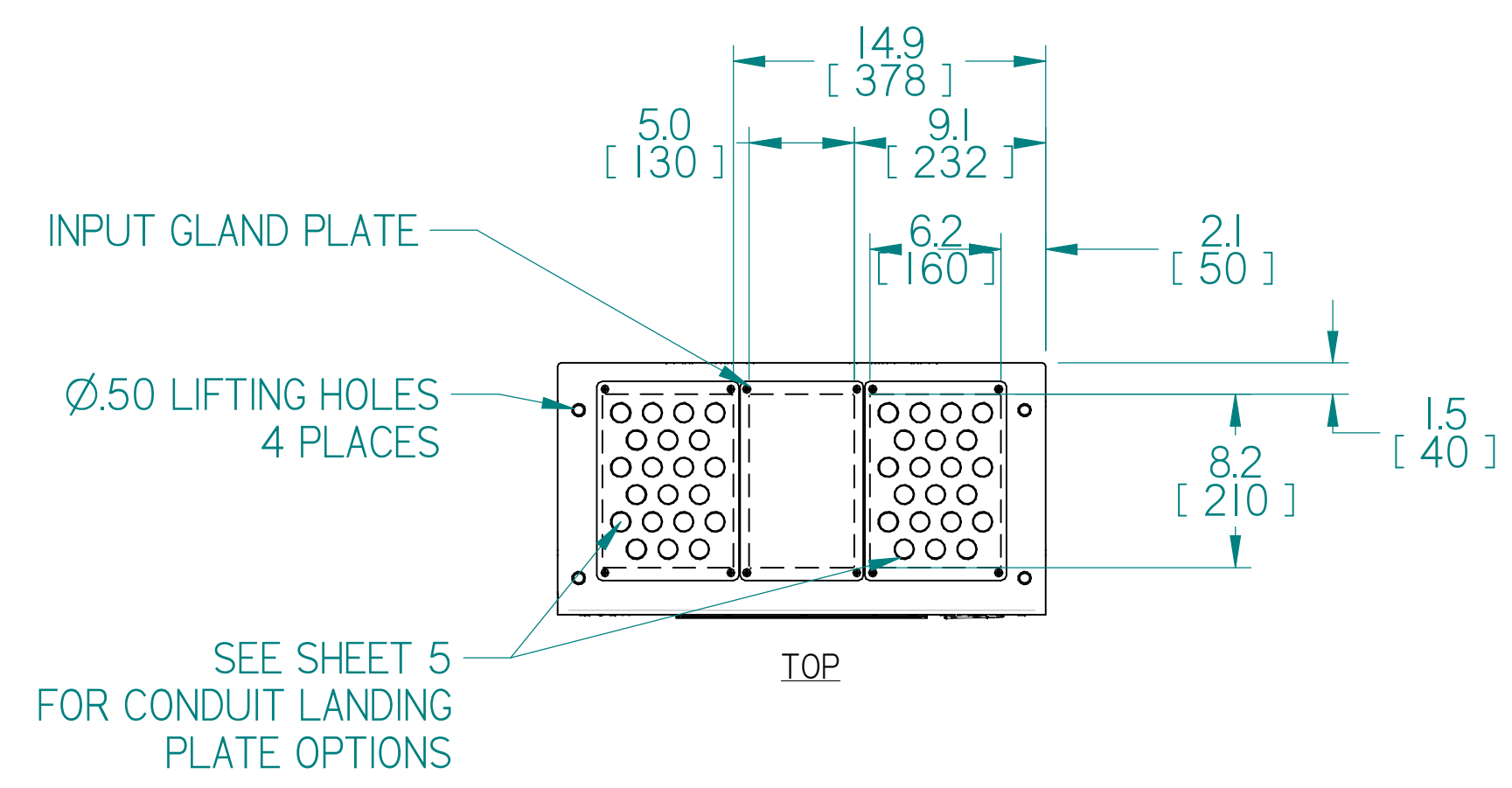
FIRST ANGLE PROJ.

LAYERZERO
POWER SYSTEMS, INC.

OUTLINE, MOUNTING, INSTALLATION DIAGRAM,
eRPP 120/208V 400A (MAX) 3-PHASE, 4-WIRE
INPUT / 42 CIRCUIT PANEL BOARD

DWN PTP	DATE 4/19/2021	SIZE D	FSCM NO.	DWG NO. 94-MS-01109201	REV A
CHK NEM	DATE 4/19/2021	SCALE 1:7.27	94-MS-01109201-ASHT2	SHEET 2 of 6	

REVISIONS				
ECN	REV	DESCRIPTION	DATE	APPROVED
-	A	NEW RELEASE	4/19/2021	PTP



Copyright © 2020, LayerZero Power Systems, Inc.

UNLESS OTHERWISE SPECIFIED
DIMENSIONS ARE IN INCHES
DIMENSIONS IN [] ARE IN mm
DO NOT SCALE DRAWING

TOLERANCES:
.XX ± .03
.XXX ± .010
ANGULAR ± .1/2

FIRST ANGLE PRJ.

OUTLINE, MOUNTING, INSTALLATION DIAGRAM,
eRPP 120/208V 400A (MAX) 3-PHASE, 4-WIRE
INPUT / 42 CIRCUIT PANEL BOARD

DWN PTP	DATE 4/19/2021	SIZE D	FSCM NO.	DWG NO. 94-MS-01109201	REV A
CHK NEM	DATE 4/19/2021	SCALE 1:8		94-MS-01109201-ASHT3	SHEET 3 of 6
APVD PTP	DATE 4/19/2021				

REVISIONS				
ECN	REV	DESCRIPTION	DATE	APPROVED
-	A	NEW RELEASE	4/19/2021	PTP

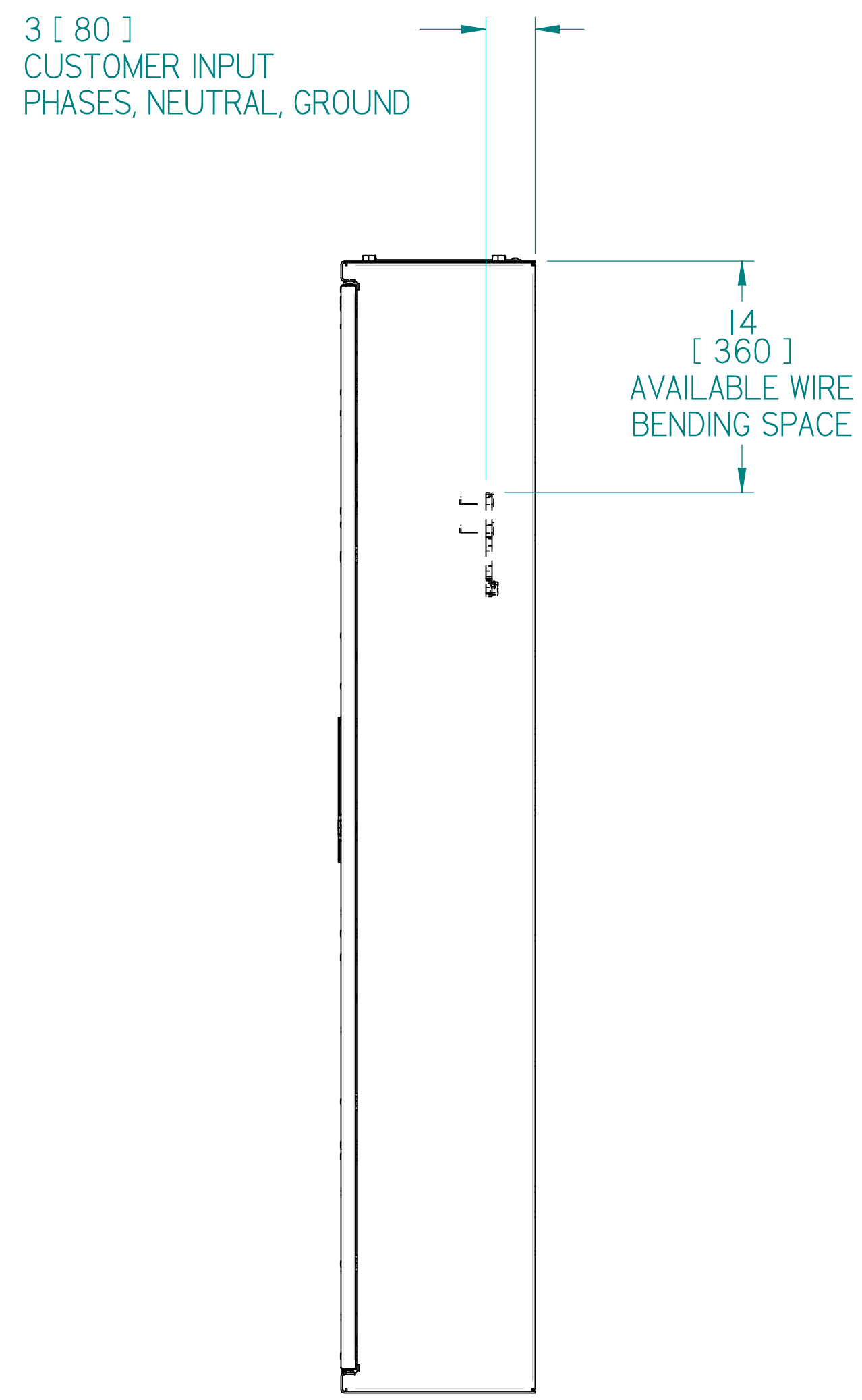
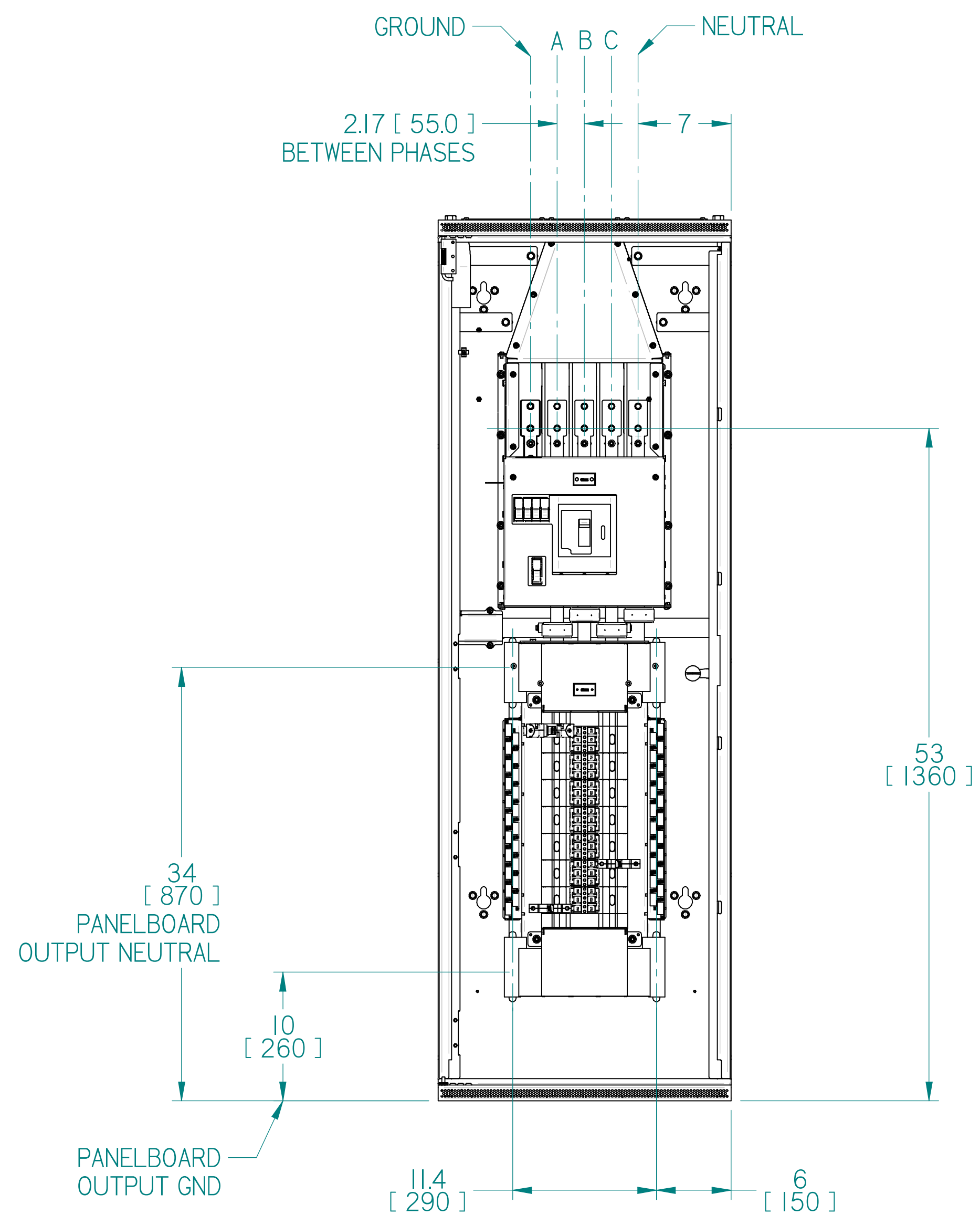
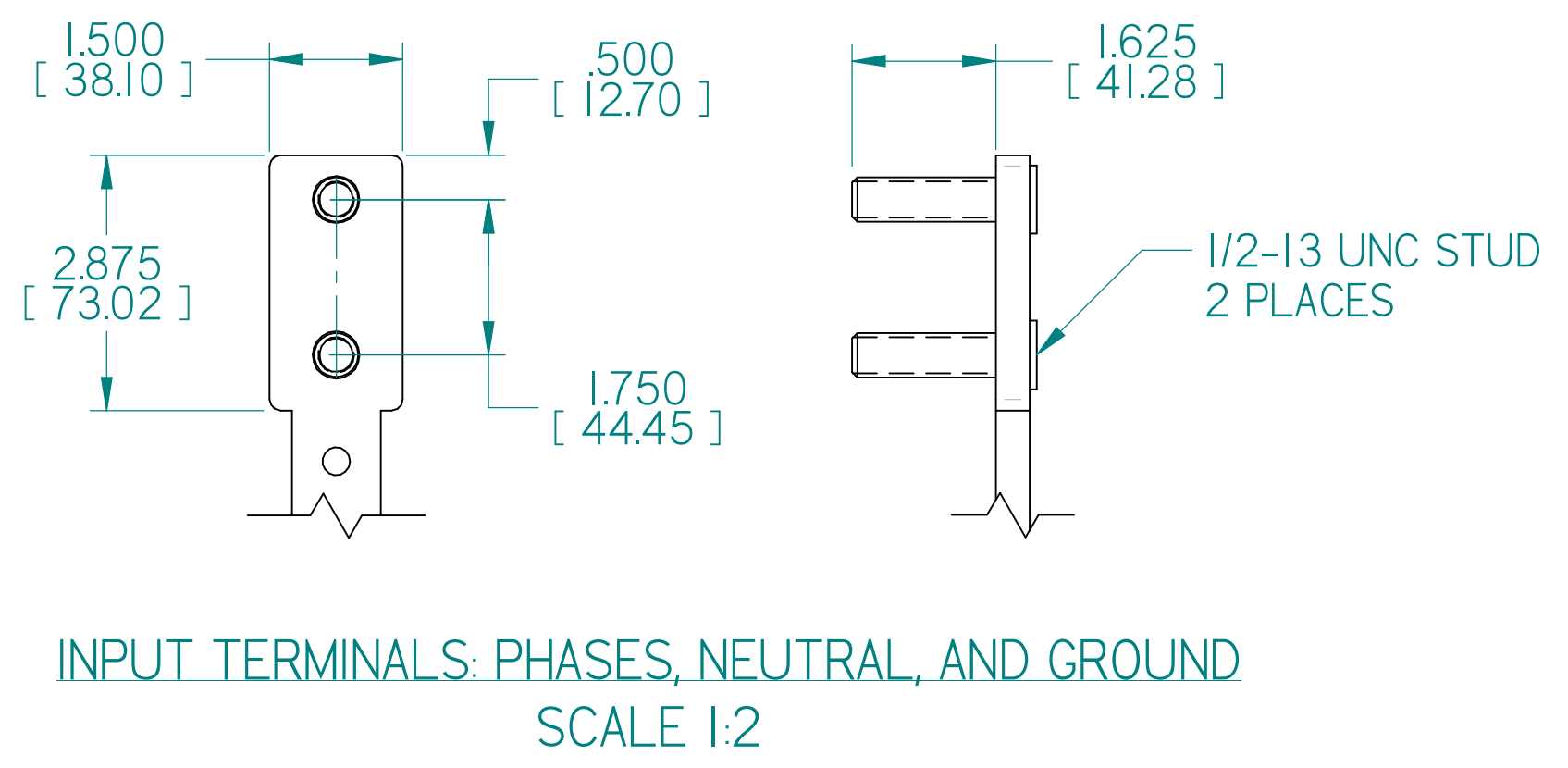
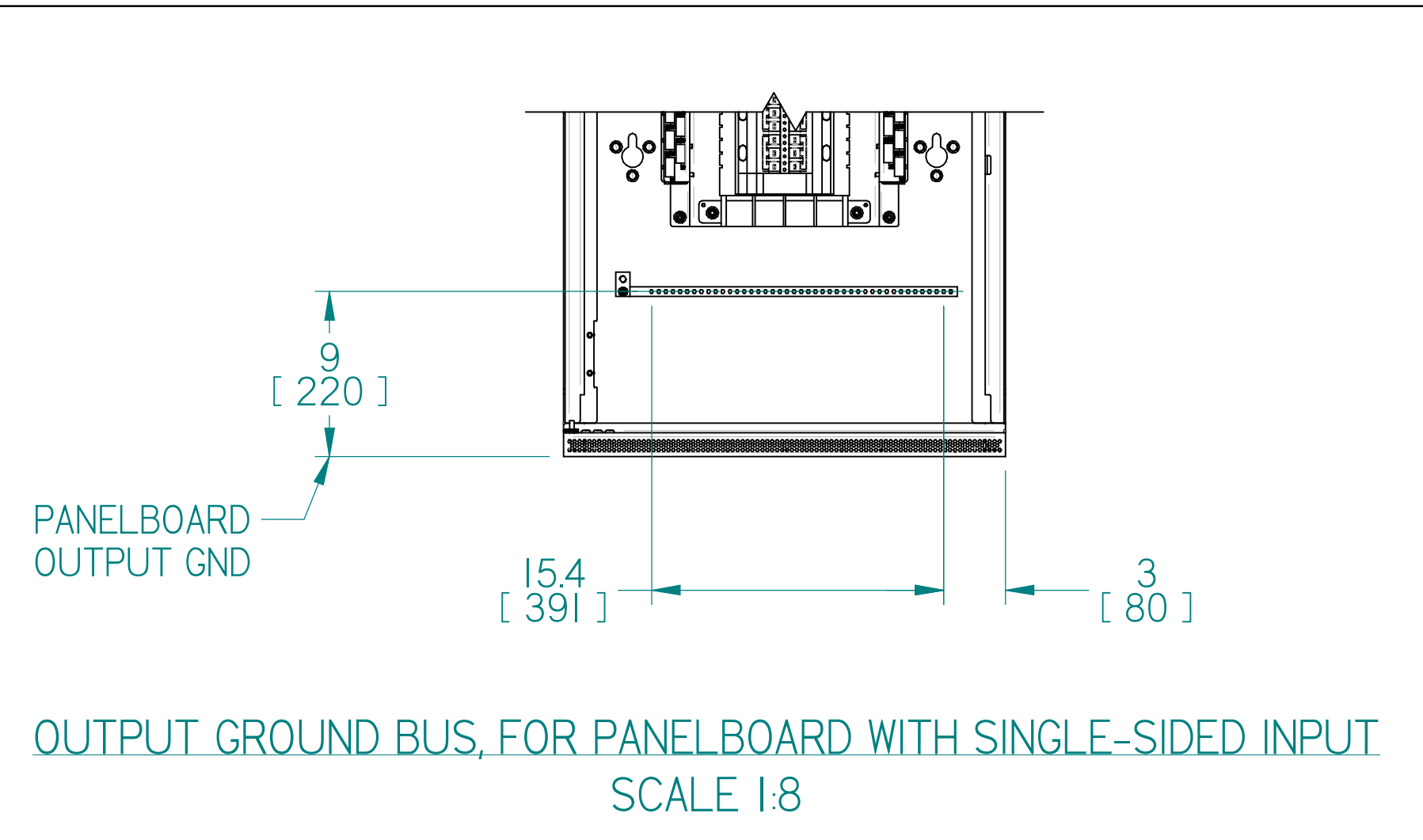


TABLE I			
Compression lugs for Source 1 & 2 Input Phases and Ground lugs provided by others			
DESCRIPTION	CABLE SIZE AND LUGS		
	RECOMMENDED COPPER WIRE SIZE (75 °C WIRE MIN)	RECOMMENDED ALUMINUM WIRE SIZE (75 °C WIRE MIN)	LUG TYPE & SIZE (75 °C WIRE MIN)
SOURCE INPUT PHASES	4/0 AWG-250 MCM (2) PER PHASE	300-350 MCM (2) PER PHASE	NEMA 2-HOLE (Ø 1/2") ON 1-3/4" CENTER BUS LANDING
INPUT GROUND BUS	#4 - 2/0 AWG UP TO (2)	#2 - 3/0 AWG UP TO (2)	NEMA 2-HOLE (Ø 1/2") ON 1-3/4" CENTER BUS LANDING
NEUTRAL BUS	4/0 AWG-250 MCM UP TO (2)	300-350 MCM UP TO (2)	NEMA 2-HOLE (Ø 1/2") ON 1-3/4" CENTER BUS LANDING
42-CIRCUIT PANEL BOARD CIRCUIT BREAKERS	PER BRANCH BREAKER SPECIFICATION	PER BRANCH BREAKER SPECIFICATION	MECHANICAL LUG PROVIDED ON CB
42 CIRCUIT PANEL BOARD OUTPUT	#1-18 AWG STRANDED	N/A	3/8" SINGLE HOLE MECHANICAL LUG
CONTROL WIRE	16-20 AWG STRANDED	N/A	NOT REQUIRED



Copyright © 2020, LayerZero Power Systems, Inc.

UNLESS OTHERWISE SPECIFIED DIMENSIONS ARE IN INCHES DIMENSIONS IN [] ARE IN mm DO NOT SCALE DRAWING

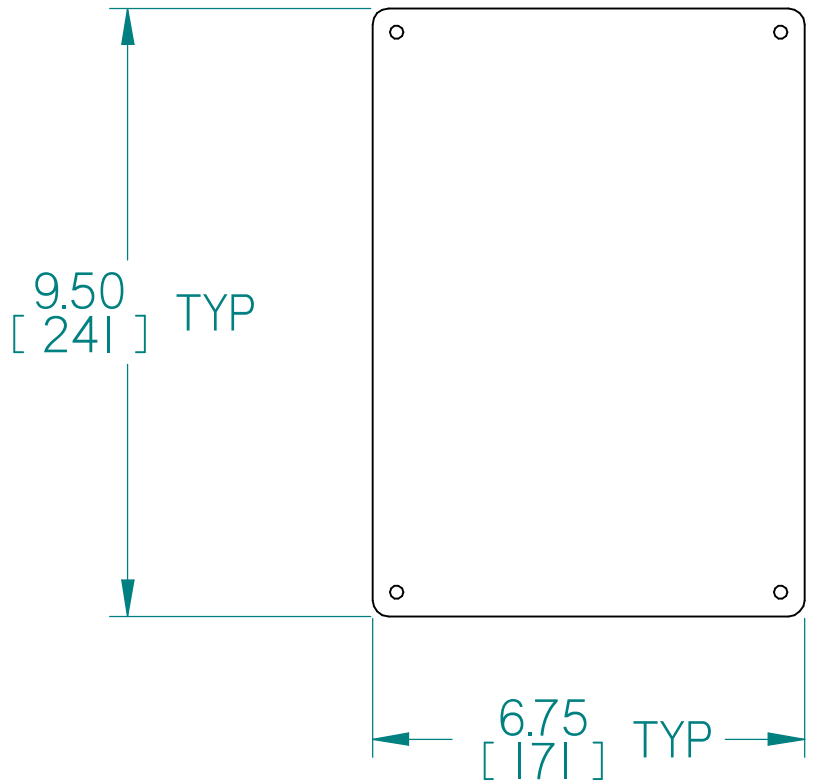
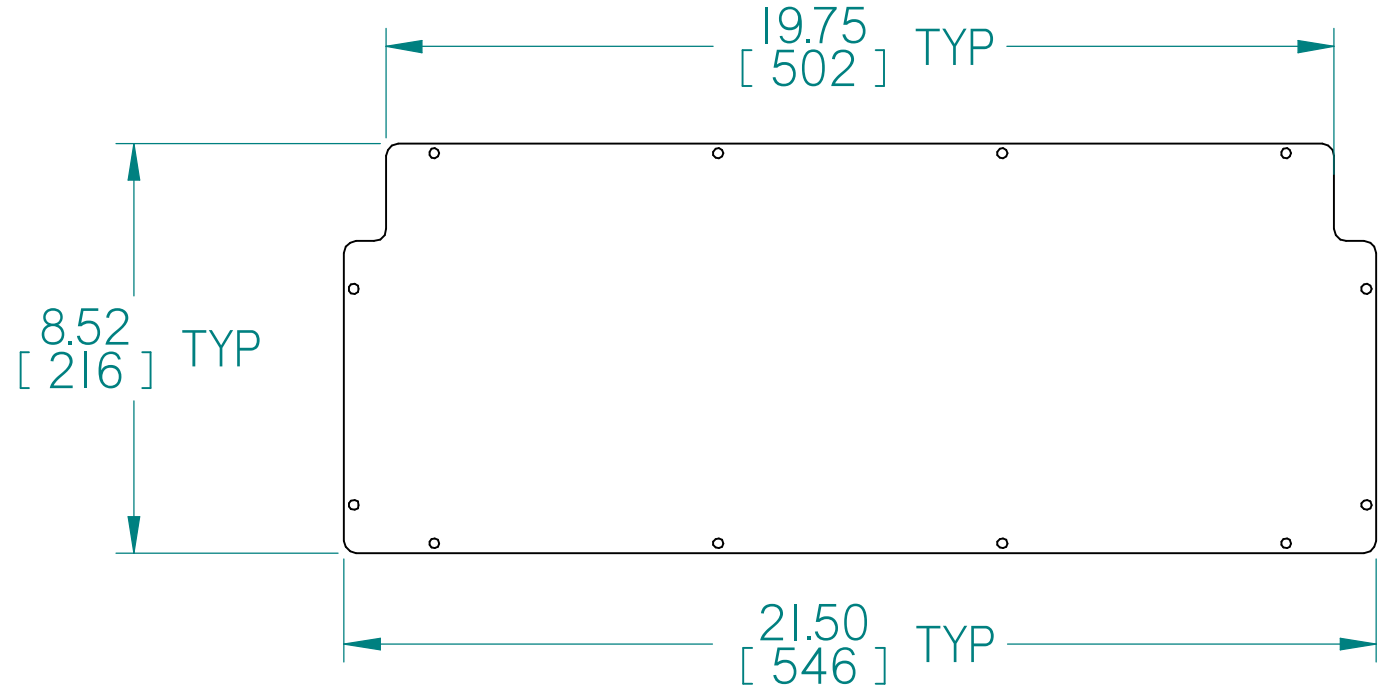
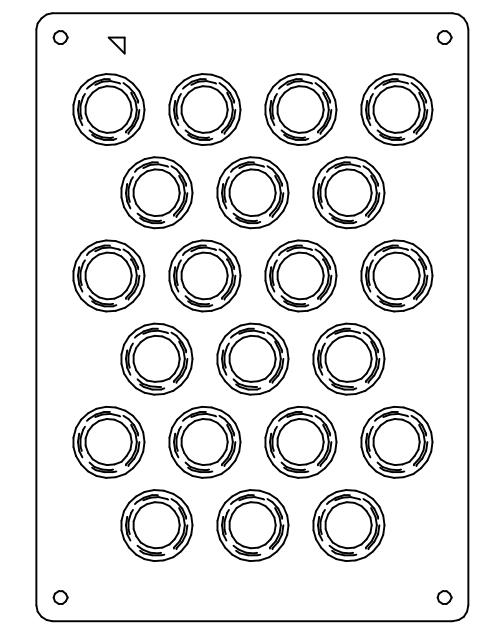
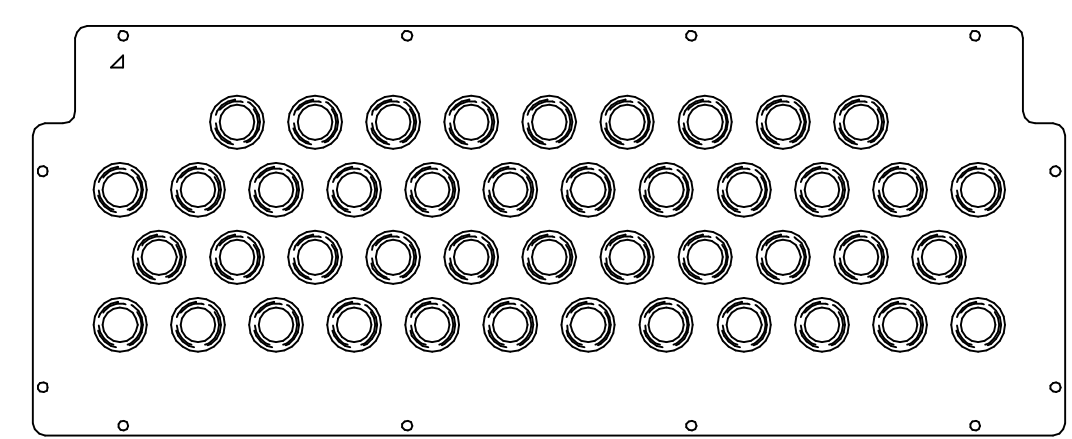
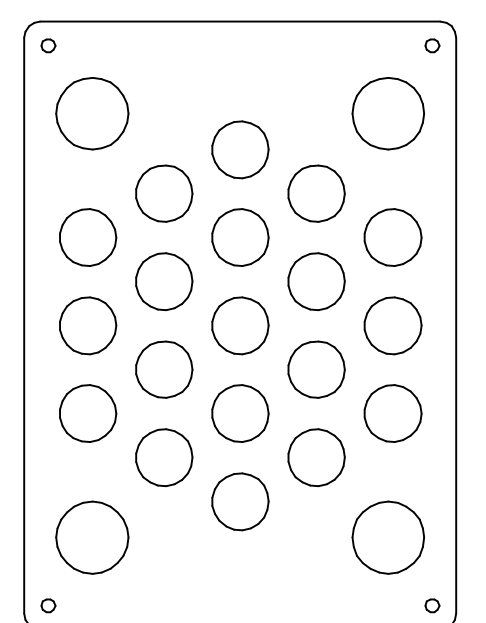
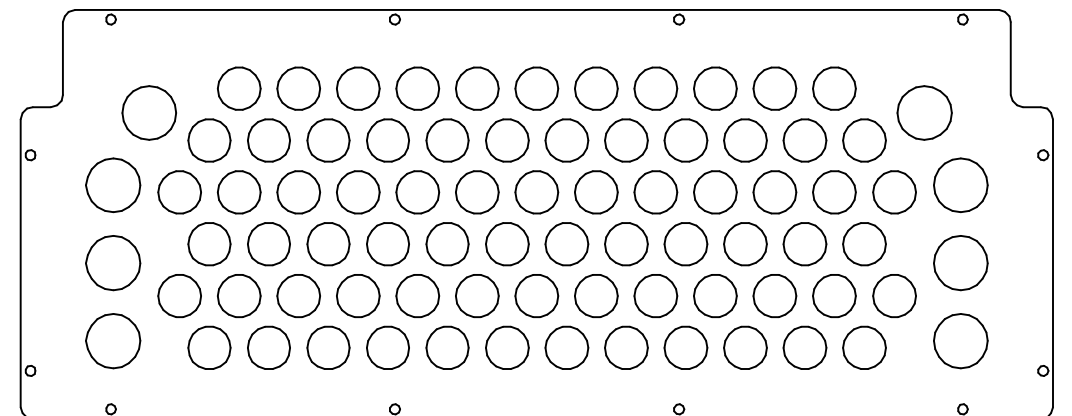
TOLERANCES:
 .XX ± .03
 .XXX ± .010
 ANGULAR ± .1/2

FIRST ANGLE PROJ.

LAYERZERO
POWER SYSTEMS, INC.


OUTLINE, MOUNTING, INSTALLATION DIAGRAM,
eRPP 120/208V 400A (MAX) 3-PHASE, 4-WIRE
INPUT / 42 CIRCUIT PANEL BOARD

DWN PTP	DATE 4/19/2021	SIZE D	FSCM NO.	DWG NO. 94-MS-01109201	REV A
CHK NEM	DATE 4/19/2021	SCALE 1:8		94-MS-01109201+ASHT4	SHEET 4 of 6
APVD PTP	DATE 4/19/2021				

	8	7	6	5	4	3	2	1																
	TABLE 2					<table border="1"> <thead> <tr> <th colspan="5">REVISIONS</th> </tr> <tr> <th>ECN</th> <th>REV</th> <th>DESCRIPTION</th> <th>DATE</th> <th>APPROVED</th> </tr> </thead> <tbody> <tr> <td>-</td> <td>A</td> <td>NEW RELEASE</td> <td>4/19/2021</td> <td>PTP</td> </tr> </tbody> </table>				REVISIONS					ECN	REV	DESCRIPTION	DATE	APPROVED	-	A	NEW RELEASE	4/19/2021	PTP
REVISIONS																								
ECN	REV	DESCRIPTION	DATE	APPROVED																				
-	A	NEW RELEASE	4/19/2021	PTP																				
D	TOP OUTPUT CONDUIT LANDING PLATES SCALE 1:3			BOTTOM CONDUIT LANDING PLATES SCALE 1:4																				
C	P/N 42-06-40295515 BLANK PLATE 			P/N 42-06-40411401 BLANK PLATE 																				
B	P/N 42-06-40295511 QTY 21 3/4" X 1/2" CONCENTRIC CONDUIT KNOCKOUTS (SHOWN HERE AT TOP EXIT) 			P/N 42-06-40295513 QTY 44 3/4" X 1/2" CONCENTRIC CONDUIT KNOCKOUTS (SHOWN HERE AT BOTTOM EXIT) 																				
A	P/N 42-06-40295514 QTY 19 THRU HOLES FOR 1/2" CONDUIT QTY 4 THRU HOLES FOR 3/4" CONDUIT 			P/N 42-06-40295516 QTY 73 THRU HOLES FOR 1/2" CONDUIT QTY 8 HOLES FOR 3/4" CONDUIT 																				
	8	7	6	5	4	3	2	1																

NOTES:

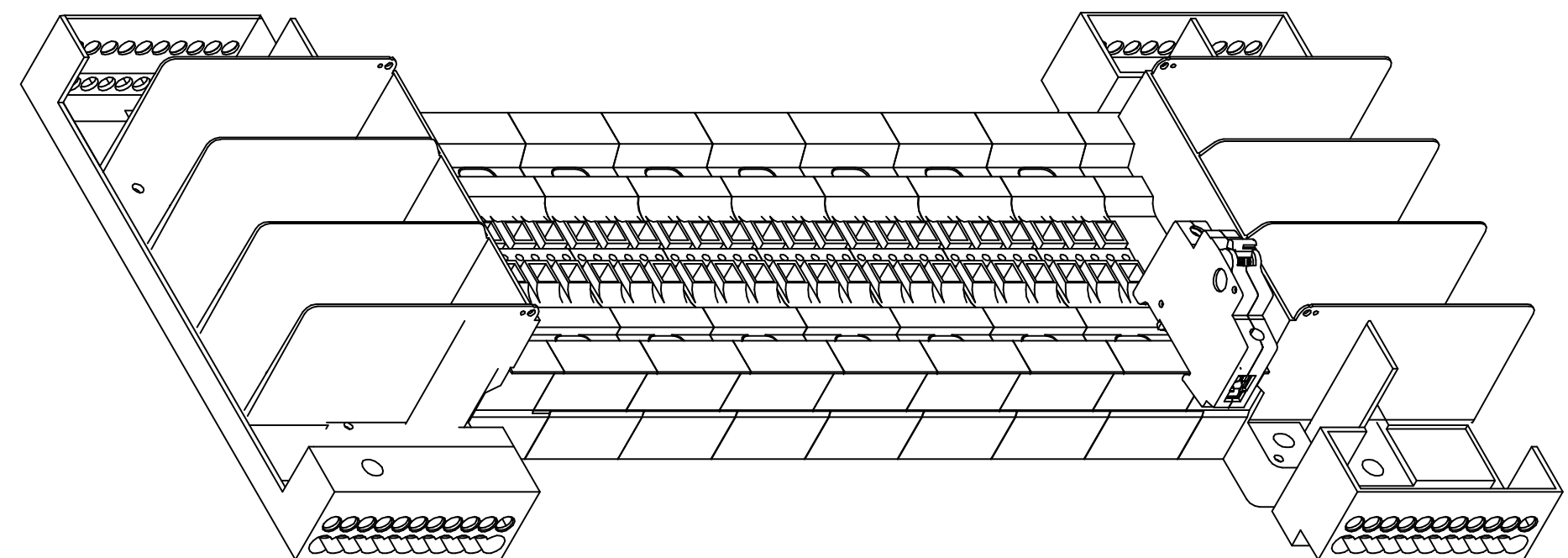
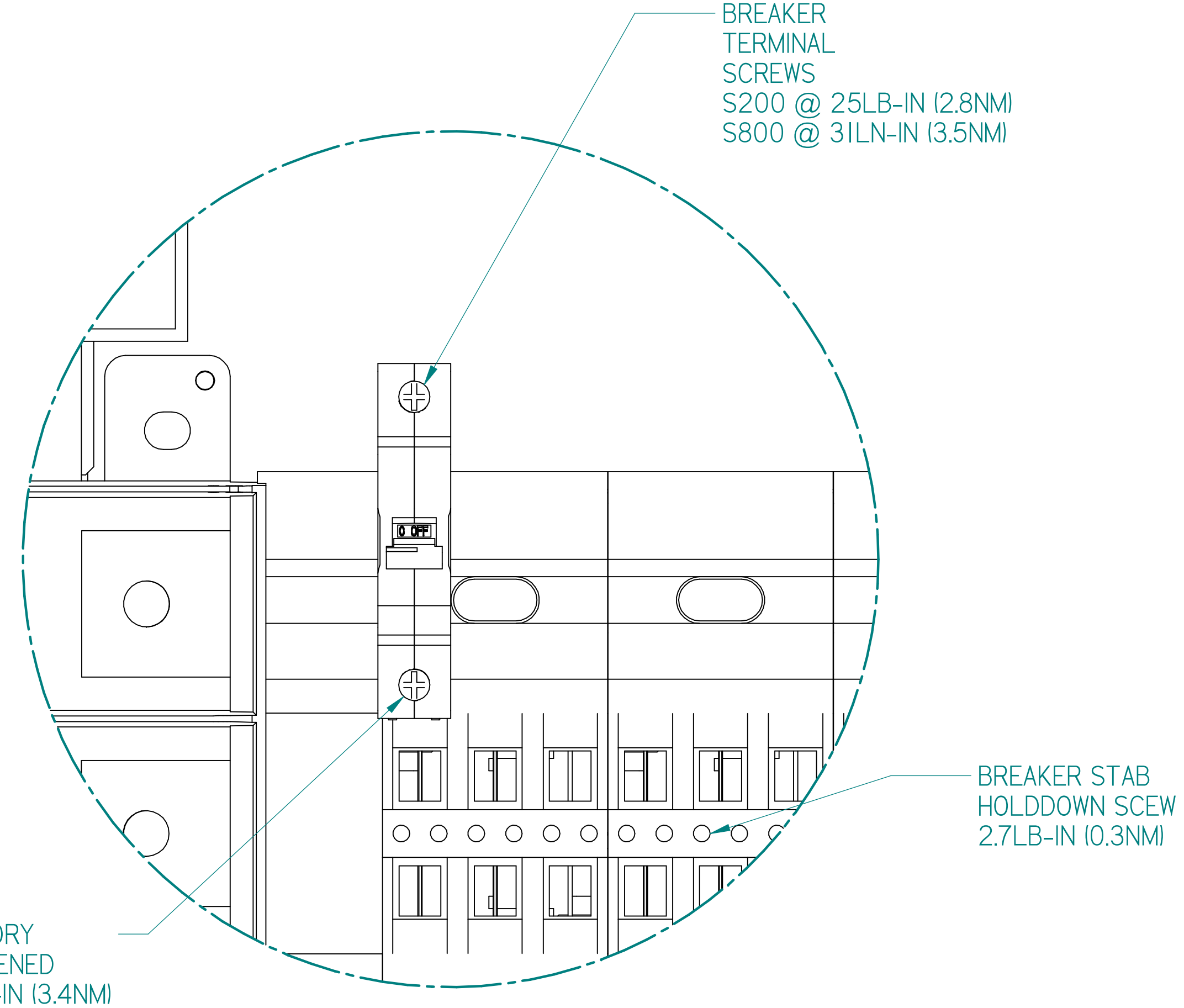
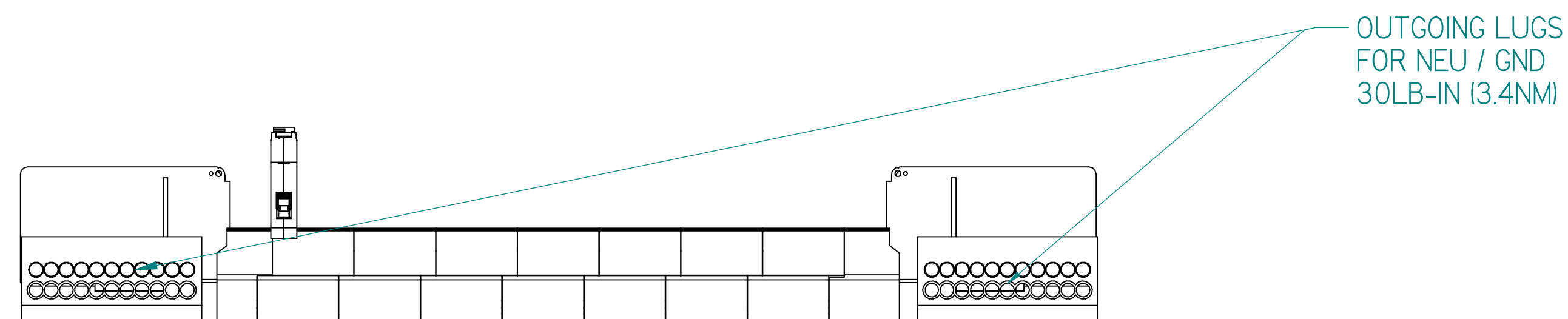
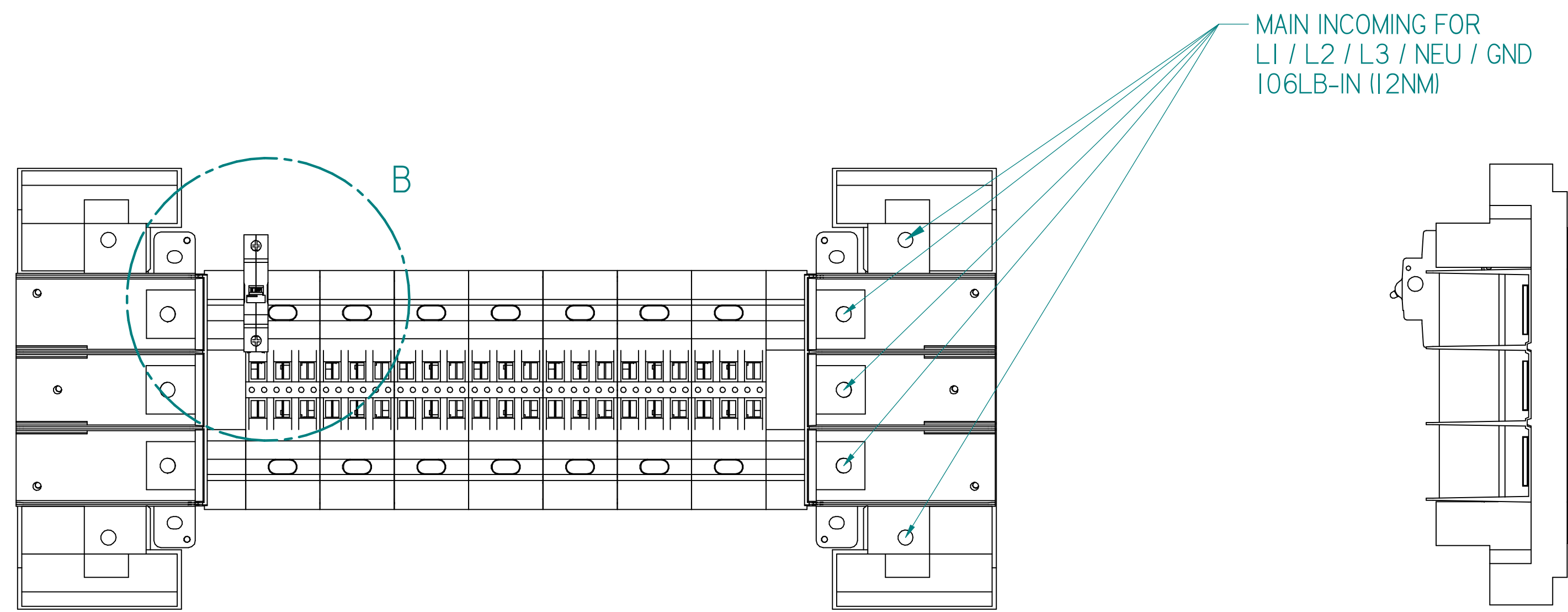
I. TABLE 2 SHOWS AVAILABLE OPTIONS FOR OUTPUT CONDUIT LANDING PLATES. CONFIGURATIONS NOT SHOWN MAY BE REQUESTED AT TIME OF ORDER.

Copyright © 2020, LayerZero Power Systems, Inc.				
UNLESS OTHERWISE SPECIFIED DIMENSIONS ARE IN INCHES DIMENSIONS IN [] ARE IN mm DO NOT SCALE DRAWING				
TOLERANCES: .XX ± .03 .XXX ± .010 ANGULAR ± .1/2		OUTLINE, MOUNTING, INSTALLATION DIAGRAM, eRPP 120/208V 400A (MAX) 3-PHASE, 4-WIRE INPUT / 42 CIRCUIT PANEL BOARD		
DWN PTP CHK NEM APVD PTP	DATE 4/19/2021 DATE 4/19/2021 DATE 4/19/2021	SIZE D SCALE 1:3	FSCM NO. 94-MS-01109201+ASHT5	DWG NO. 94-MS-01109201 SHEET 5 of 6
				REV A

8 7 6 5 4 3 2 1

STANDARD PANELBOARD TORQUE DATA

REVISIONS				
ECN	REV	DESCRIPTION	DATE	APPROVED
-	A	NEW RELEASE	4/19/2021	PTP



Copyright © 2020, LayerZero Power Systems, Inc.

UNLESS OTHERWISE SPECIFIED
DIMENSIONS ARE IN INCHES
DIMENSIONS IN [] ARE IN mm
DO NOT SCALE DRAWING

TOLERANCES:
.XX ± .03
.XXX ± .010
ANGULAR ± .1/2

FIRST ANGLE PROJ.

OUTLINE, MOUNTING, INSTALLATION DIAGRAM,
eRPP 120/208V 400A (MAX) 3-PHASE, 4-WIRE
INPUT / 42 CIRCUIT PANEL BOARD

DWN PTP	DATE 4/19/2021	SIZE D	FSCM NO.	DWG NO. 94-MS-01109201	REV A
CHK NEM	DATE 4/19/2021	SCALE 1:1		94-MS-01109201-ASHT6	SHEET 6 of 6
APVD PTP	DATE 4/19/2021				

8 7 6 5 4 3 2 1