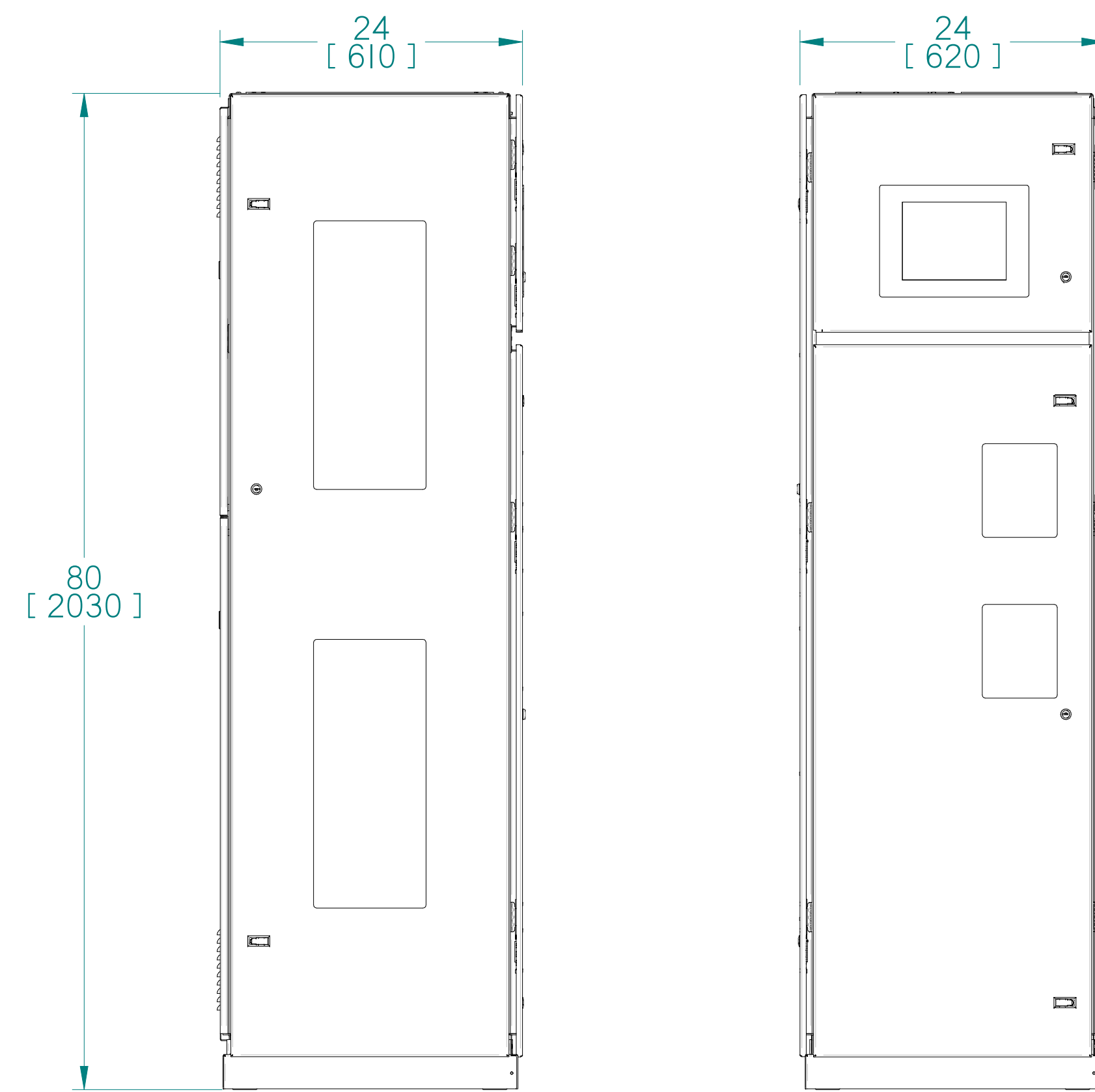
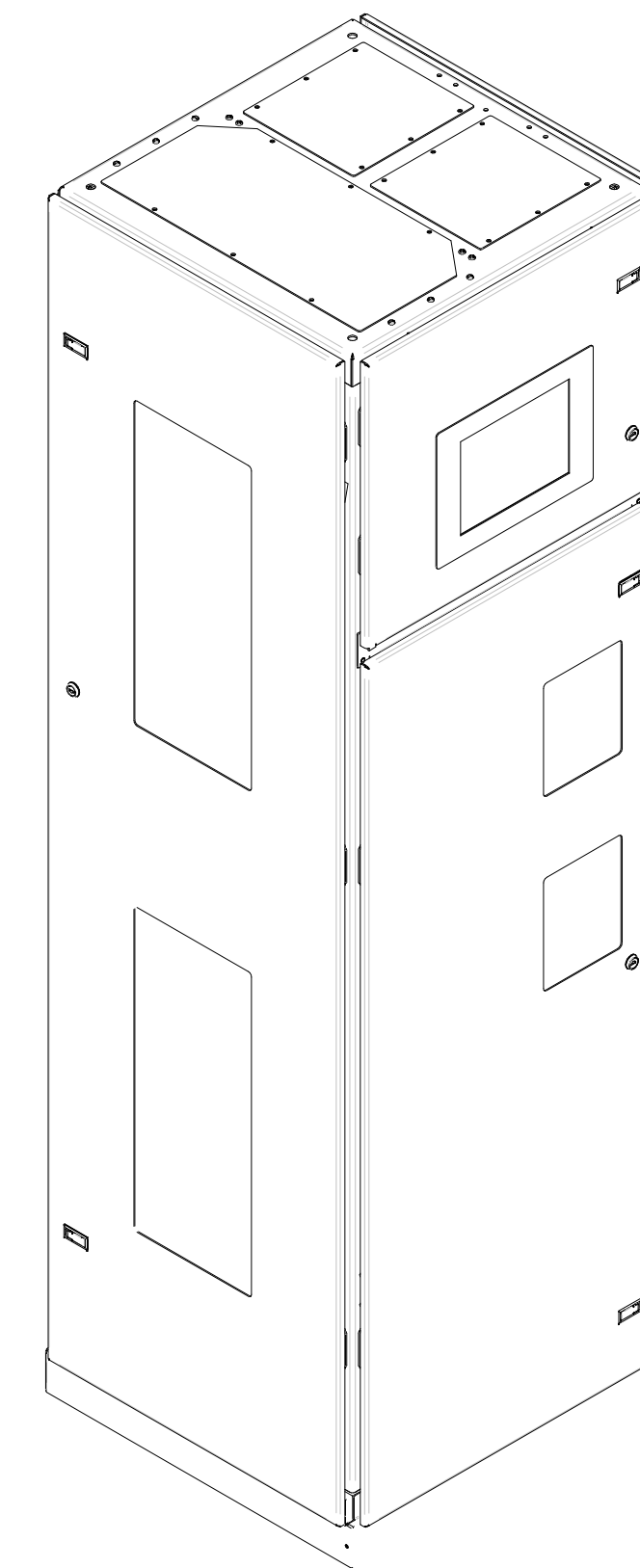
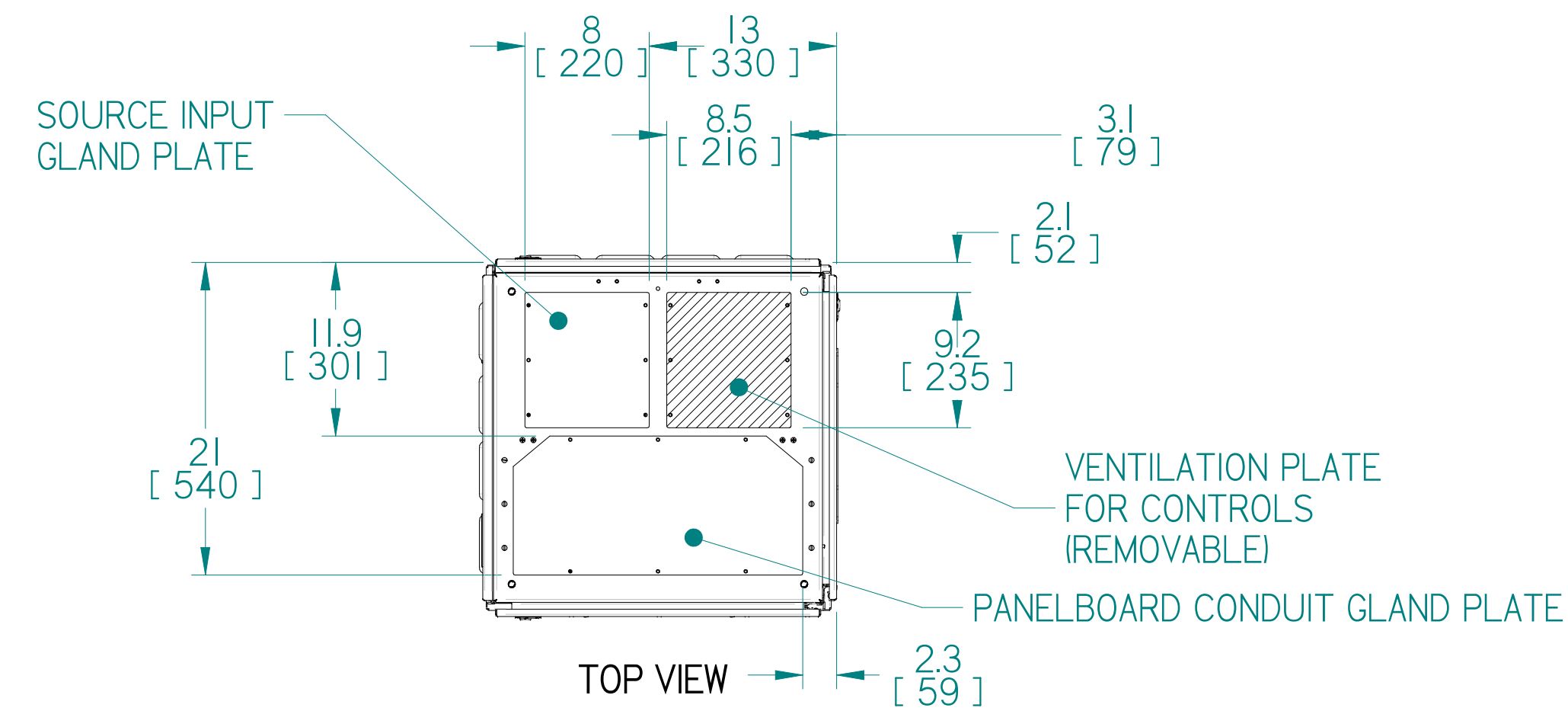
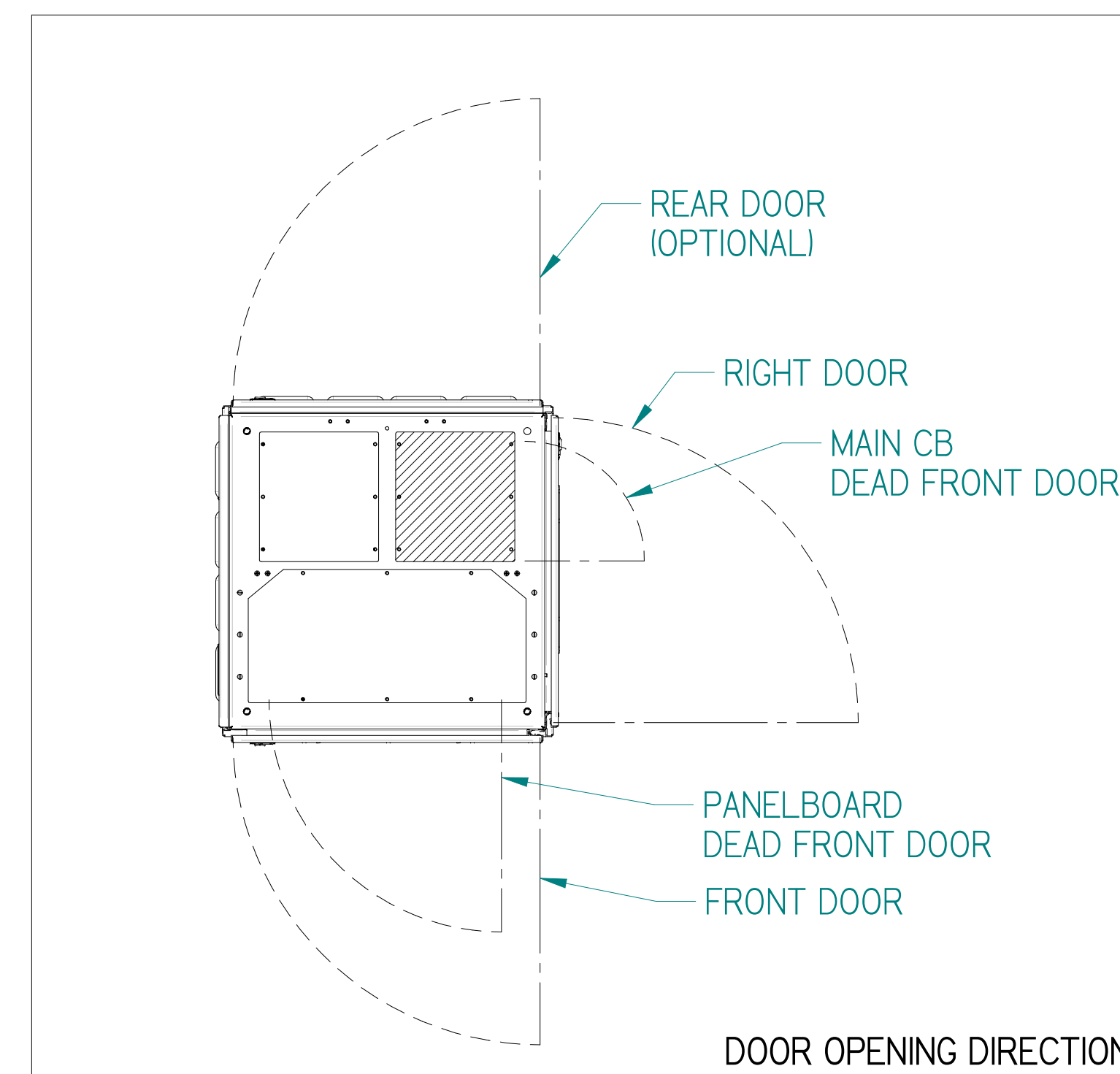
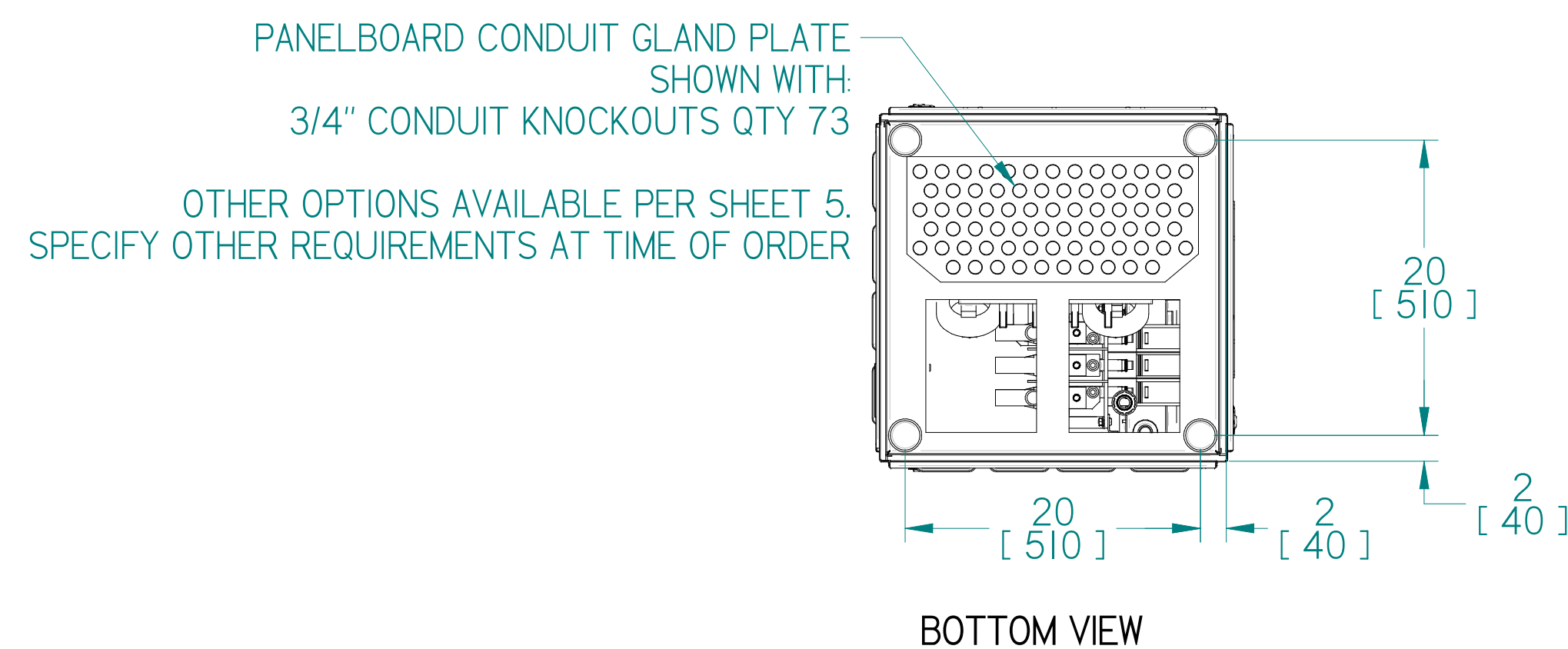


| REVISIONS | | | | |
|-----------|-----|---------------------|-----------|----------|
| ECN | REV | DESCRIPTION | DATE | APPROVED |
| - | A | NEW RELEASE | 2/12/2020 | JMK |
| - | B | UPDATED FLOOR STAND | 6/2/2020 | NEM |
| - | C | UPDATED FLOOR STAND | 8/12/2020 | PTP |
| - | D | UPDATED TABLE 1 | 8/20/2020 | PTP |



Notes:

- This sheet shows the outline for the Cabinet Assembly with (2) 42-Circuit Panel Boards and (2) 400AF Plug-In Circuit Breakers. Sheets 2 and 3 will show, in detail, the outline for detailing mechanical configuration and electrical interface.
- The following options are provided:
 - Input circuit breakers
 - Graphical user interface
 - Input current monitor
 - Branch circuit monitor
 - Viewing windows for panel board and input circuit breakers
 - Infrared scanning ports on dead front doors
- Front access required only for operation and servicing of panel-board circuit breakers. Side access required only for operation and servicing of input circuit breakers.
- Leveling feet provided for +/- 1.0 inch adjustment from nominal
- Swivel casters provided on base of unit for ease of transport. The swivel radius is 2.75 inches. Standard ground clearance of 2.7 inches as shown.
- Provision at the top of the cabinet is available for standard 1/2-13 UNC-2A eyebolts for transport purposes. Eyebolts are not provided.
- Descriptive Index of internal parts shown on Sheet 2.
- Optional Floor Stand detailed on Sheet 4.
- Sheet 5 shows options for conduit landing plates.



Copyright © 2020, LayerZero Power Systems, Inc.

UNLESS OTHERWISE SPECIFIED DIMENSIONS ARE IN INCHES DIMENSIONS IN [] ARE IN mm DO NOT SCALE DRAWING

TOLERANCES:
 .XX ± .03
 .XXX ± .010
 ANGULAR ± .1/2

FIRST ANGLE PROJ.

OUTLINE, MOUNTING, INSTALLATION DIAGRAM
 REMOTE POWER PANEL ASSEMBLY,
 (2) 42-CIRCUIT PANEL BOARDS,
 (1) OR (2) 400AF/225AT 3P PLUG-IN CIRCUIT BREAKERS FOR MAINS INPUT,
 FRONT AND RIGHT CONFIGURATION

| | | | | | |
|----------|----------------|----------------------|----------|------------------------|-------|
| DWN PTP | DATE 8/20/2020 | SIZE D | FSCM NO. | DWG NO. 94-MS-01099401 | REV D |
| CHK JMK | DATE 8/20/2020 | SCALE 1:10 | | SHEET 1 of 5 | |
| APVD PTP | DATE 8/20/2020 | 94-MS-01099401+DSHT1 | | | |

8

7

6

5

4

3

2

1

| REVISIONS | | | | |
|-----------|-----|---------------------|-----------|----------|
| ECN | REV | DESCRIPTION | DATE | APPROVED |
| - | A | NEW RELEASE | 2/12/2020 | JMK |
| - | B | UPDATED FLOOR STAND | 6/2/2020 | NEM |
| - | C | UPDATED FLOOR STAND | 8/12/2020 | PTP |
| - | D | UPDATED TABLE 1 | 8/20/2020 | PTP |

RECOMMENDED MINIMUM CLEARANCES:
 FRONT: 36 IN
 LEFT: 0 IN
 RIGHT: 36 IN
 REAR:
 COVER PANEL: 0 IN
 DOOR: 36 IN

ESTIMATED WEIGHT:
 500#
 (W/O PANEL BOARD CBS)

D

D

C

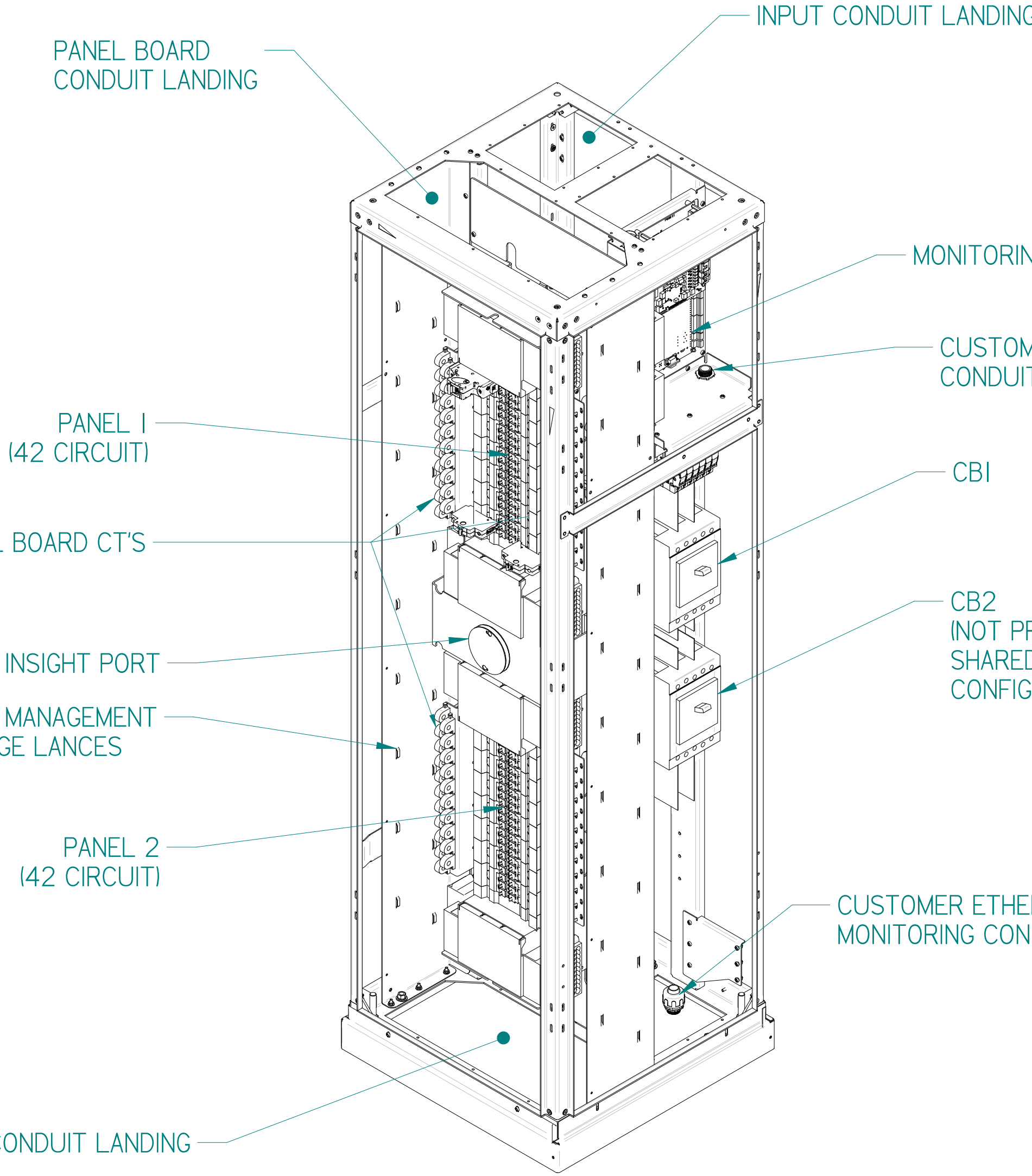
C

B

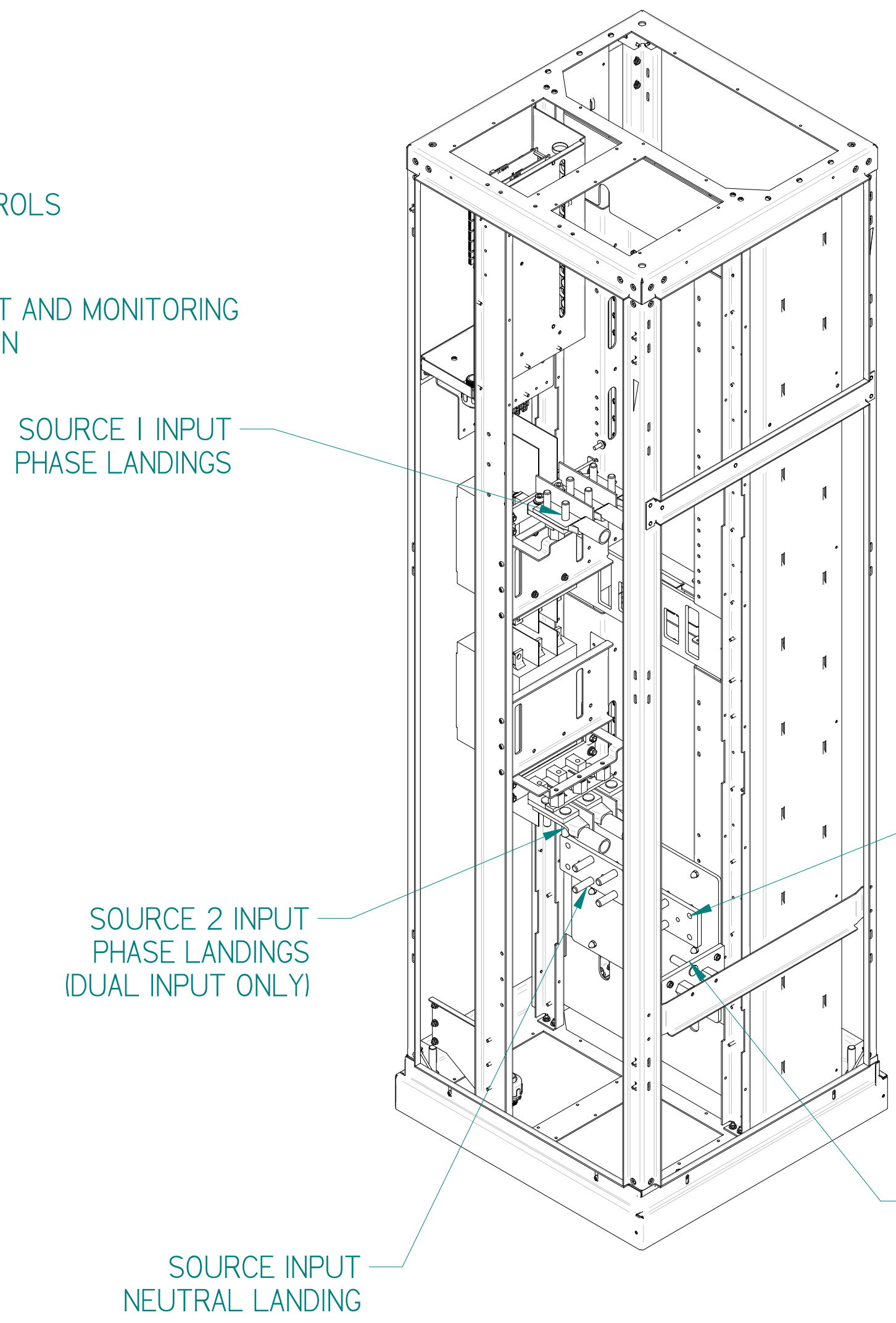
B

A

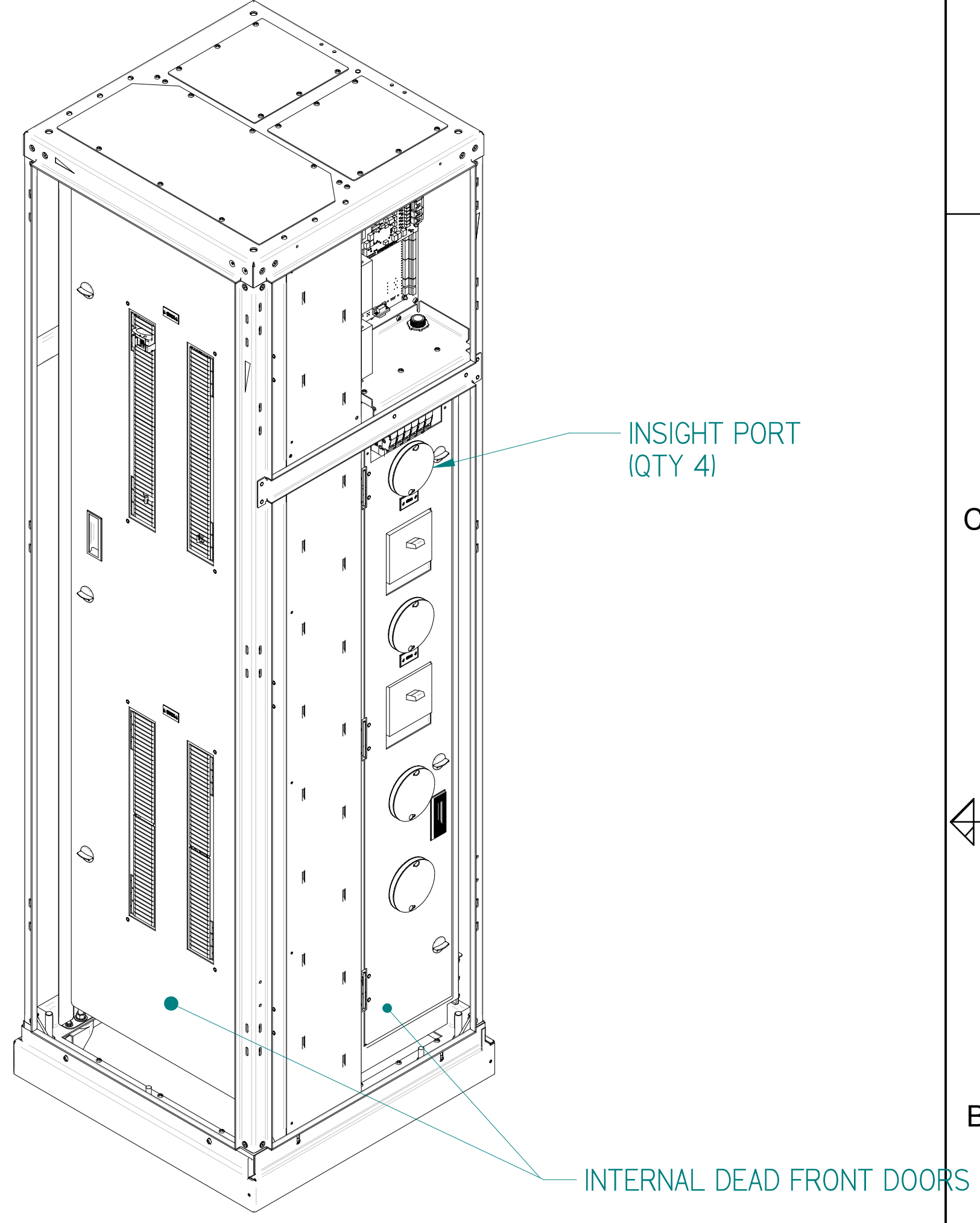
A



FRONT-RIGHT ISOMETRIC VIEW



REAR-LEFT ISOMETRIC VIEW



NOTES:
 1. FOR CLARITY OF VIEWING, SOME COMPONENTS ARE NOT SHOWN, INCLUDING: CABINET DOORS, INTERNAL DEADFRONT DOORS, GLAND PLATES, FLEX BUS CONDUCTORS

Copyright © 2020, LayerZero Power Systems, Inc.

UNLESS OTHERWISE SPECIFIED DIMENSIONS ARE IN INCHES DIMENSIONS IN [] ARE IN mm DO NOT SCALE DRAWING

TOLERANCES:
 .XX ± .03
 .XXX ± .010
 ANGULAR ± .1/2

FIRST ANGLE PROJ.

LAYERZERO
 POWER SYSTEMS, INC.

OUTLINE, MOUNTING, INSTALLATION DIAGRAM
 REMOTE POWER PANEL ASSEMBLY,
 (2) 42-CIRCUIT PANEL BOARDS,
 (1) OR (2) 400AF/225AT 3P PLUG-IN CIRCUIT BREAKERS FOR MAINS INPUT,
 FRONT AND RIGHT CONFIGURATION

| | | | | | |
|----------|----------------|-----------|----------|------------------------|--------------|
| DWN PTP | DATE 8/20/2020 | SIZE D | FSCM NO. | DWG NO. 94-MS-01099401 | REV D |
| CHK JMK | DATE 8/20/2020 | SCALE 1:1 | | 94-MS-01099401-DSHT2 | SHEET 2 of 5 |
| APVD PTP | DATE 8/20/2020 | | | | |

8

7

6

5

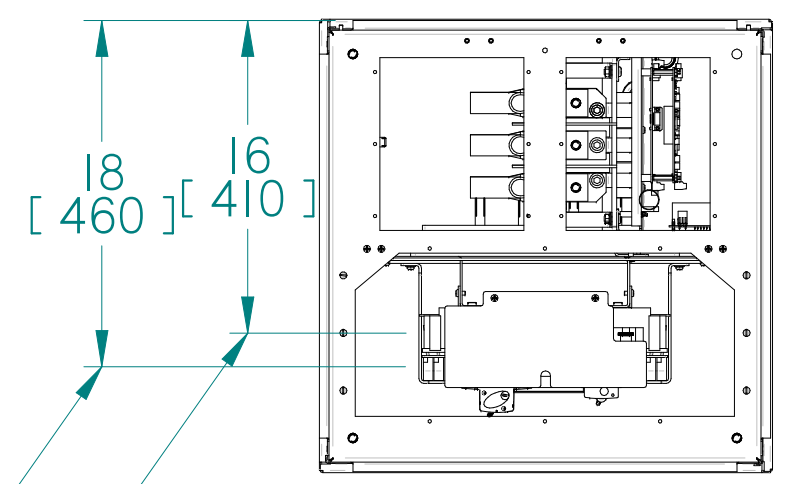
4

3

2

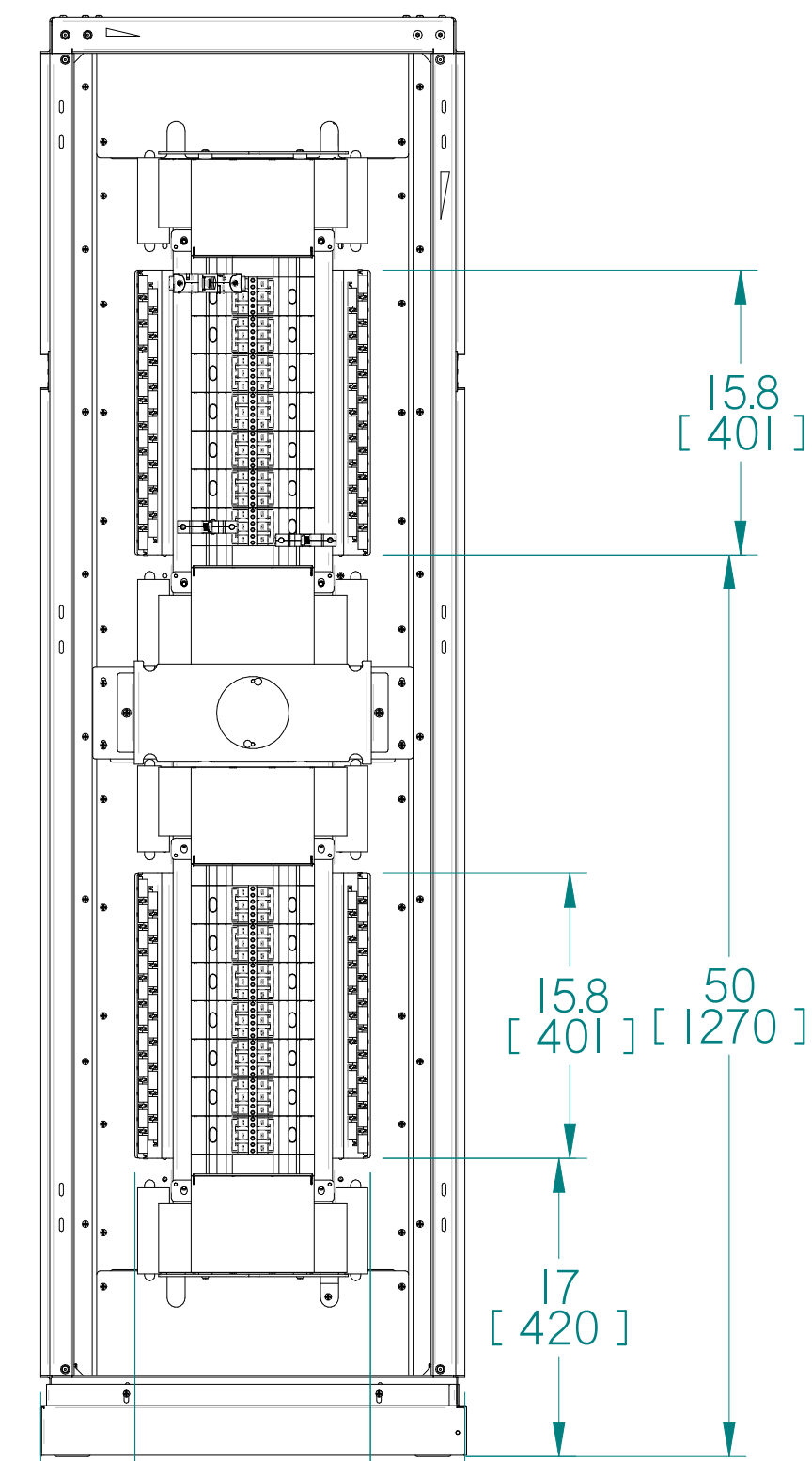
1

| REVISIONS | | | | |
|-----------|-----|---------------------|-----------|----------|
| ECN | REV | DESCRIPTION | DATE | APPROVED |
| - | A | NEW RELEASE | 2/12/2020 | JMK |
| - | B | UPDATED FLOOR STAND | 6/2/2020 | NEM |
| - | C | UPDATED FLOOR STAND | 8/12/2020 | PTP |
| - | D | UPDATED TABLE I | 8/20/2020 | PTP |

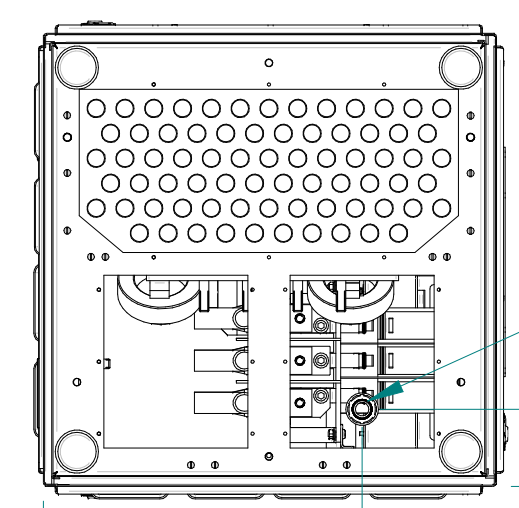


TOP VIEW

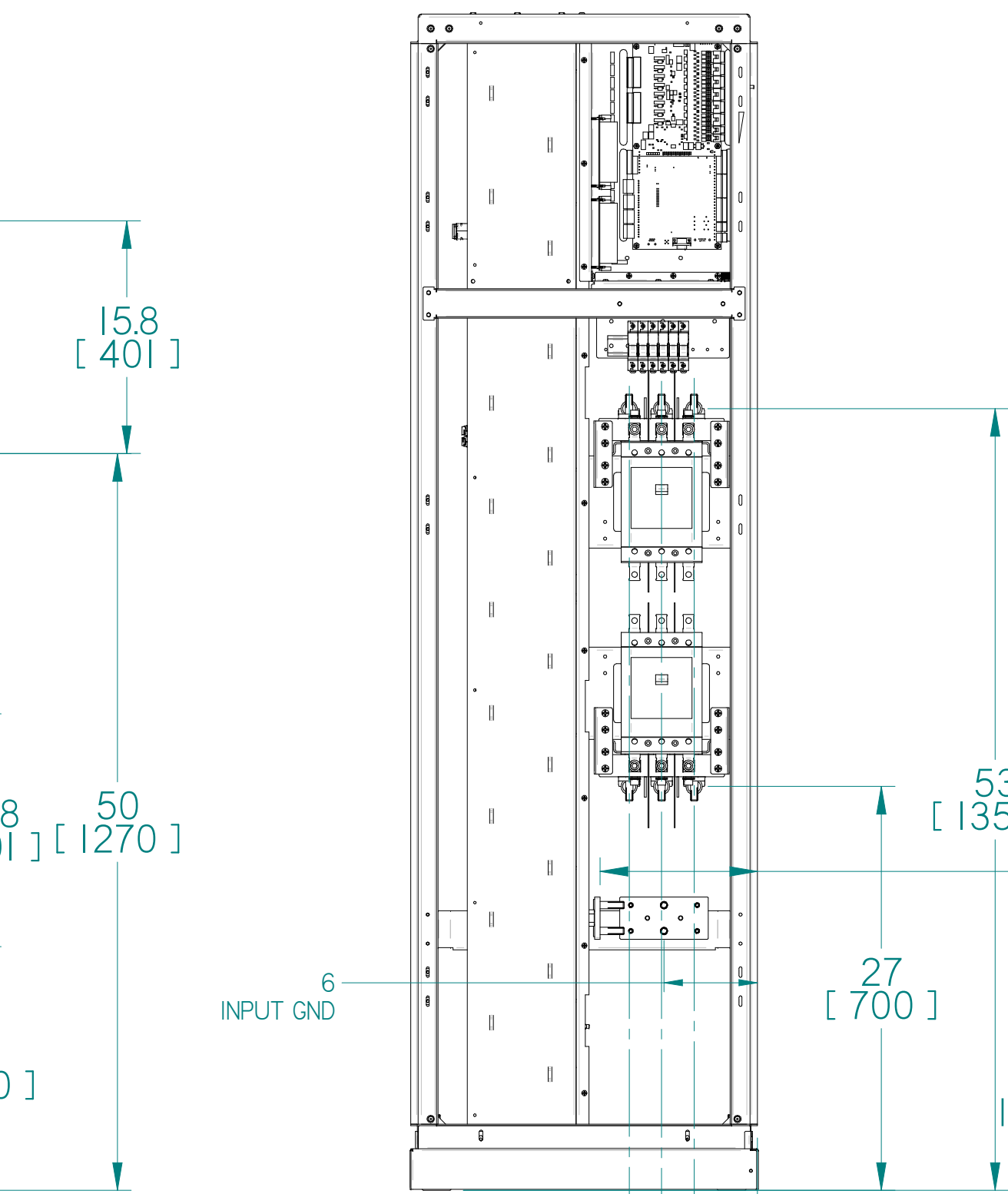
PANEL BOARD
OUTPUT CL
PANEL BOARD
GND / NEUTRAL CL



FRONT VIEW



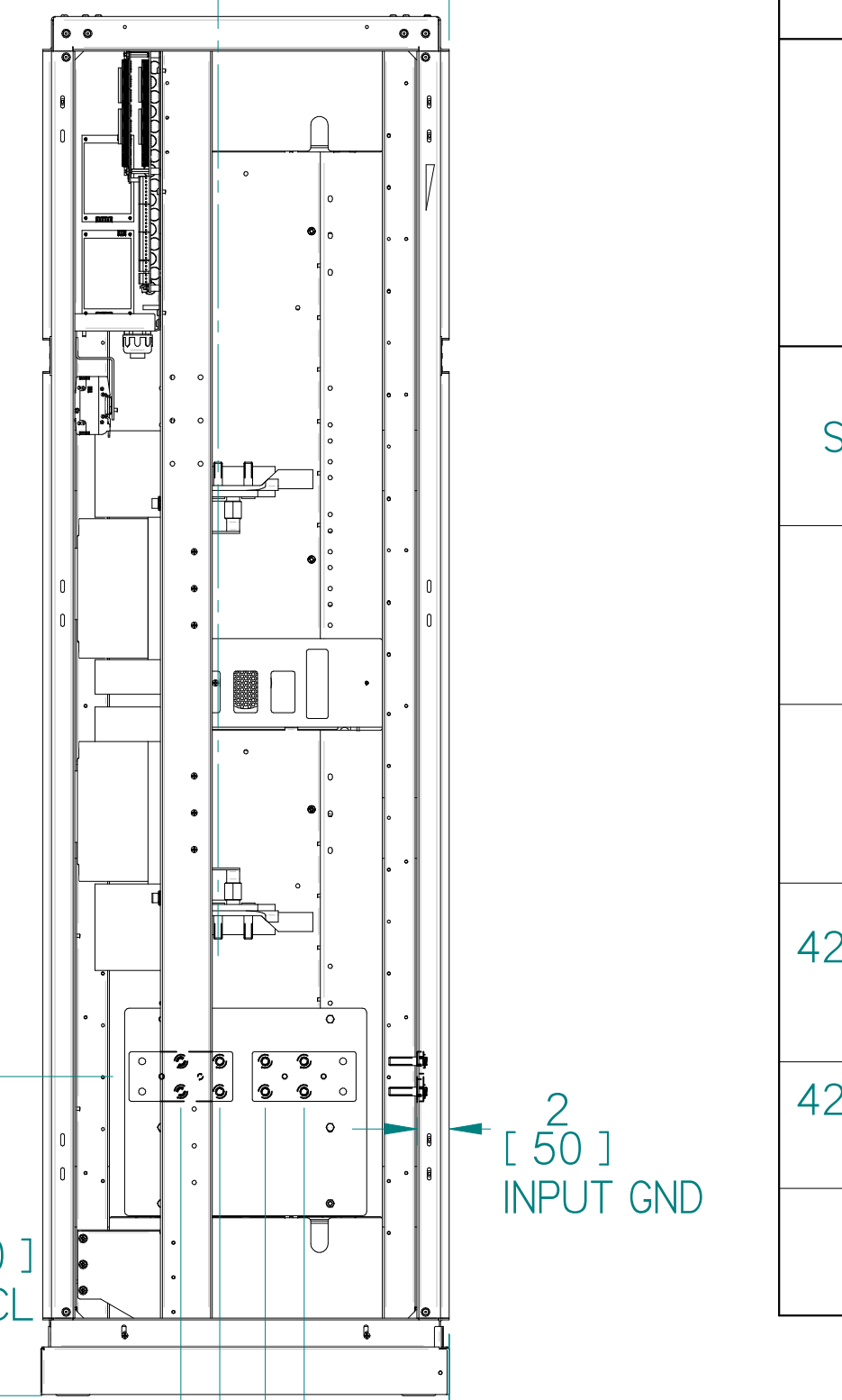
BOTTOM VIEW



RIGHT-SIDE VIEW

PHASE A
PHASE B
PHASE C

2.2 [56] BETWEEN PHASES TYP



REAR VIEW

PHASE INPUT

SOURCE 2 NEU

SOURCE 1 NEU

| TABLE I | | | | |
|---|---|---|---|------|
| Compression lugs for Source 1 & 2 Input Phases and Ground lugs provided by others | | | | |
| DESCRIPTION | CABLE SIZE AND LUGS | | | |
| | RECOMMENDED COPPER WIRE SIZE (75 °C WIRE MIN) | RECOMMENDED ALUMINUM WIRE SIZE (75 °C WIRE MIN) | LUG TYPE & SIZE (75 °C WIRE MIN) | NOTE |
| SOURCE INPUT PHASES | 300 MCM MAX (2) PER PHASE | 400 MCM MAX (2) PER PHASE | NEMA 2-HOLE (Ø 1/2") ON 1-3/4" CENTER BUS LANDING | I |
| INPUT GROUND BUS | 300 MCM MAX UP TO (2) | 400 MCM MAX UP TO (2) | NEMA 2-HOLE (Ø 1/2") ON 1-3/4" CENTER BUS LANDING | I |
| INPUT NEUTRAL BUS | 300 MCM MAX (2) PER SOURCE | 400 MCM MAX (2) PER SOURCE | NEMA 2-HOLE (Ø 1/2") ON 1-3/4" CENTER BUS LANDING | I |
| 42-CIRCUIT PANEL BOARD CIRCUIT BREAKERS | PER BRANCH BREAKER SPECIFICATION | PER BRANCH BREAKER SPECIFICATION | NONE | |
| 42-CIRCUIT PANEL BOARD GROUND/NEUTRAL | #1-18 AWG STRANDED | N/A | SCREW TERMINAL | |
| CONTROL WIRE | #16-20 AWG STRANDED | N/A | NOT REQUIRED | |

NOTES:
1. MAXIMUM LUG WIDTH FOR CONNECTIONS IS 1.50 INCHES [37 mm]
2. FOR CLARITY OF VIEWING, SOME COMPONENTS ARE NOT SHOWN, INCLUDING: CABINET DOORS, INTERNAL DEADFRONT DOORS, GLAND PLATES, FLEX BUS CONDUCTORS

Copyright © 2020, LayerZero Power Systems, Inc.

UNLESS OTHERWISE SPECIFIED DIMENSIONS ARE IN INCHES DIMENSIONS IN [] ARE IN mm DO NOT SCALE DRAWING

TOLERANCES:
.XX ± .03
.XXX ± .010
ANGULAR ± .1/2

FIRST ANGLE PROJ.

OUTLINE, MOUNTING, INSTALLATION DIAGRAM
REMOTE POWER PANEL ASSEMBLY,
(2) 42-CIRCUIT PANEL BOARDS,
(1) OR (2) 400AF/225AT 3P PLUG-IN CIRCUIT BREAKERS FOR MAINS INPUT,
FRONT AND RIGHT CONFIGURATION

| | | | | | |
|---------|----------------|-----------|----------------------|------------------------|-------|
| DWN PTP | DATE 8/20/2020 | SIZE D | FSCM NO. | DWG NO. 94-MS-01099401 | REV D |
| CHK JMK | DATE 8/20/2020 | SCALE 1:1 | 94-MS-01099401+DSHT3 | SHEET 3 of 5 | |

| REVISIONS | | | | |
|-----------|-----|---------------------|-----------|----------|
| ECN | REV | DESCRIPTION | DATE | APPROVED |
| - | A | NEW RELEASE | 2/12/2020 | JMK |
| - | B | UPDATED FLOOR STAND | 6/2/2020 | NEM |
| - | C | UPDATED FLOOR STAND | 8/12/2020 | PTP |
| - | D | UPDATED TABLE 1 | 8/20/2020 | PTP |

TO SECURE UNIT WITH FLOOR STAND, REMOVE CASTERS, THEN USE 1/2-13 HARDWARE PASSED THROUGH THE BASE OF THE UNIT INTO THE FLOOR STAND.

1/2-13 UNC WELDED NUT IN FLOOR STAND

ADJUSTING NUT
1-8 UNC THREADED ROD

NOTES:

- 1/2-13UNC HARDWARE (BOLT, LOCKWASHER, AND WASHER) SUPPLIED IN BULK FOR FIELD ASSEMBLY OF CABINET TO FLOOR STAND.
- RAISED FLOOR TILE SUPPORTS ARE PROVIDED AS AN OPTION TO JOIN PARTIAL TILES TO THE FLOOR STAND ASSEMBLY.
- LEVELED HEIGHT OF THE FLOOR STAND IS SET TO DESIRED HEIGHT BY USING LEVELING NUT PROVIDED.

Copyright © 2020, LayerZero Power Systems, Inc.

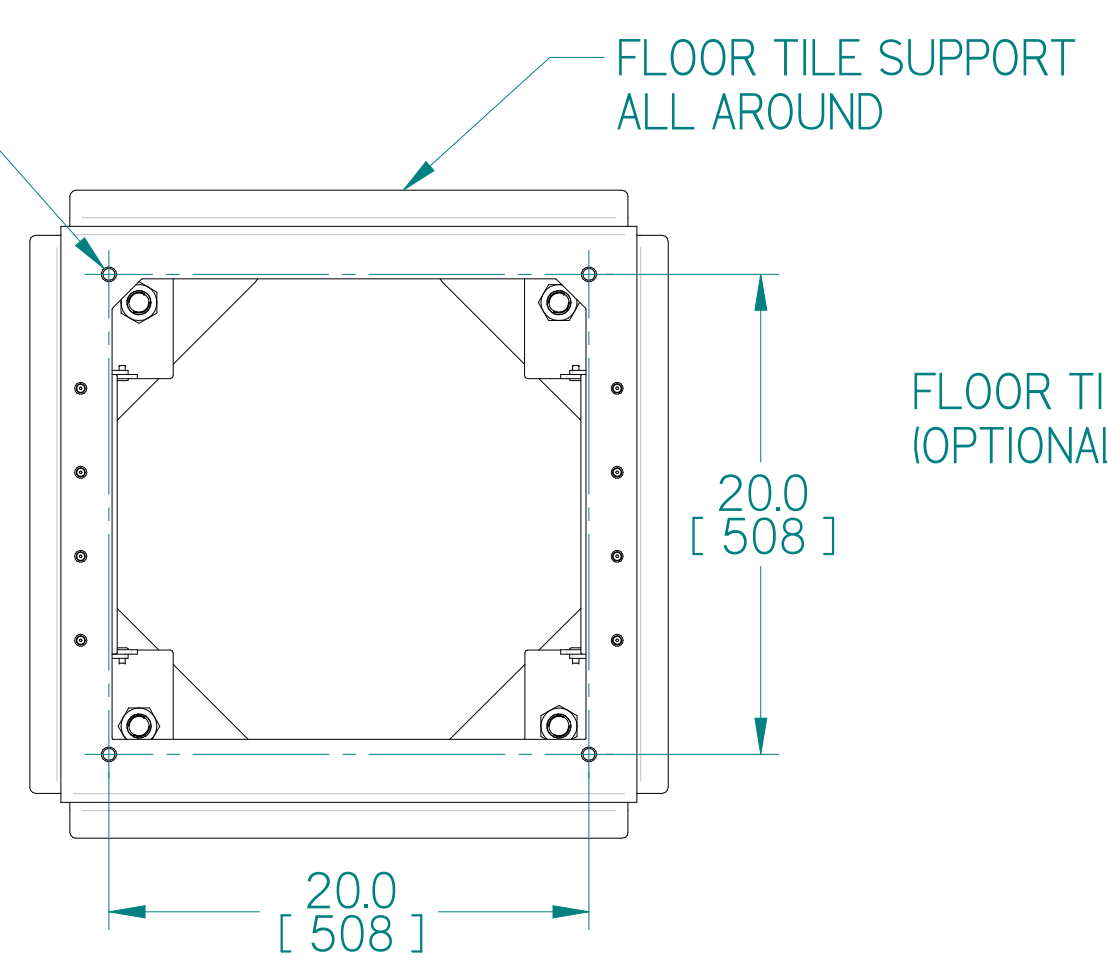
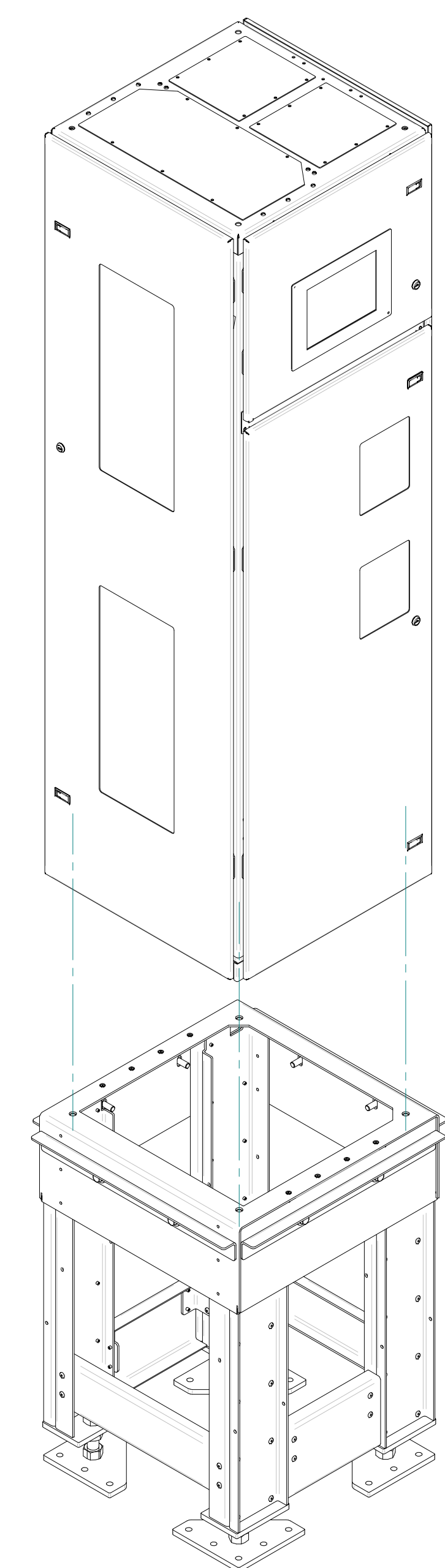
UNLESS OTHERWISE SPECIFIED DIMENSIONS ARE IN INCHES DIMENSIONS IN [] ARE IN mm DO NOT SCALE DRAWING

TOLERANCES:
.XX ± .03
.XXX ± .010
ANGULAR ± .1/2

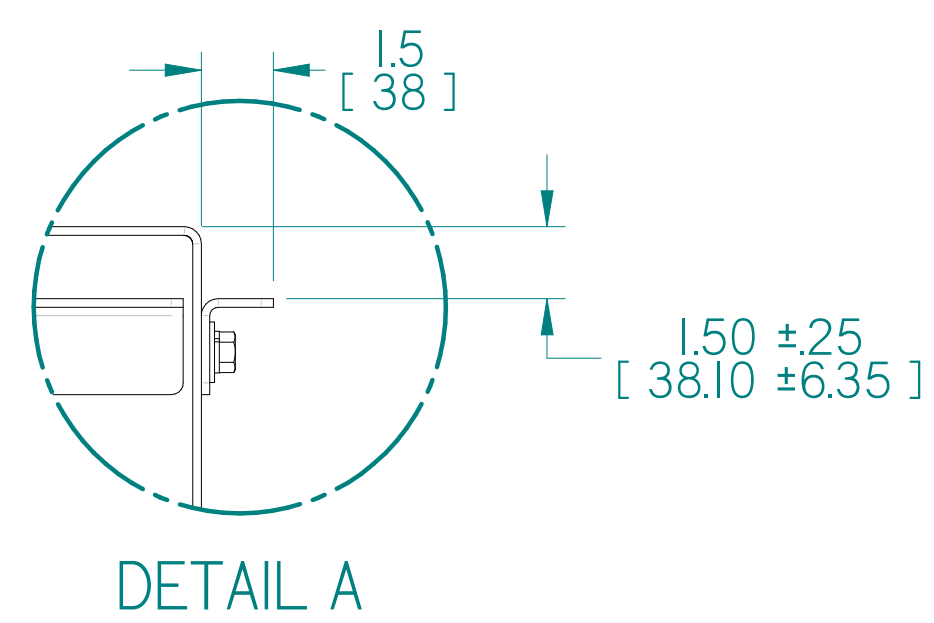
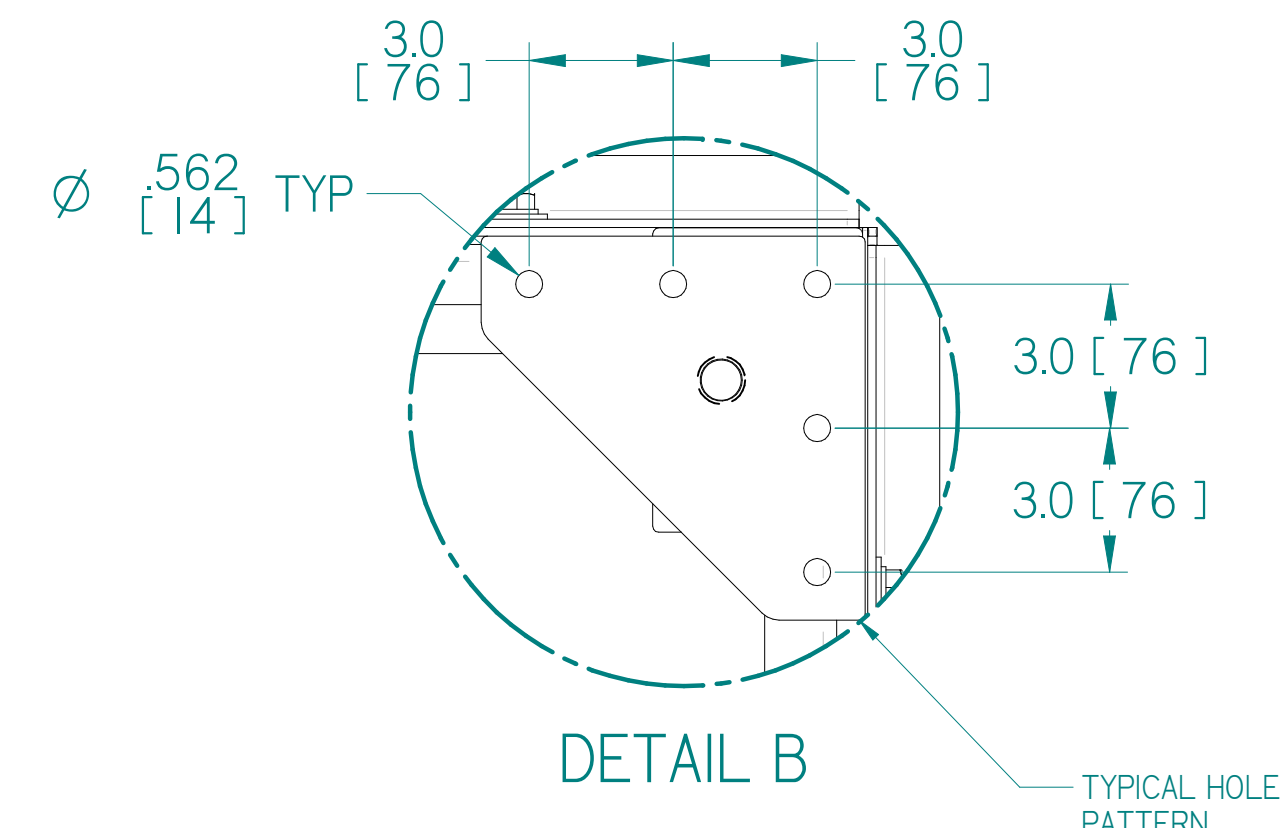
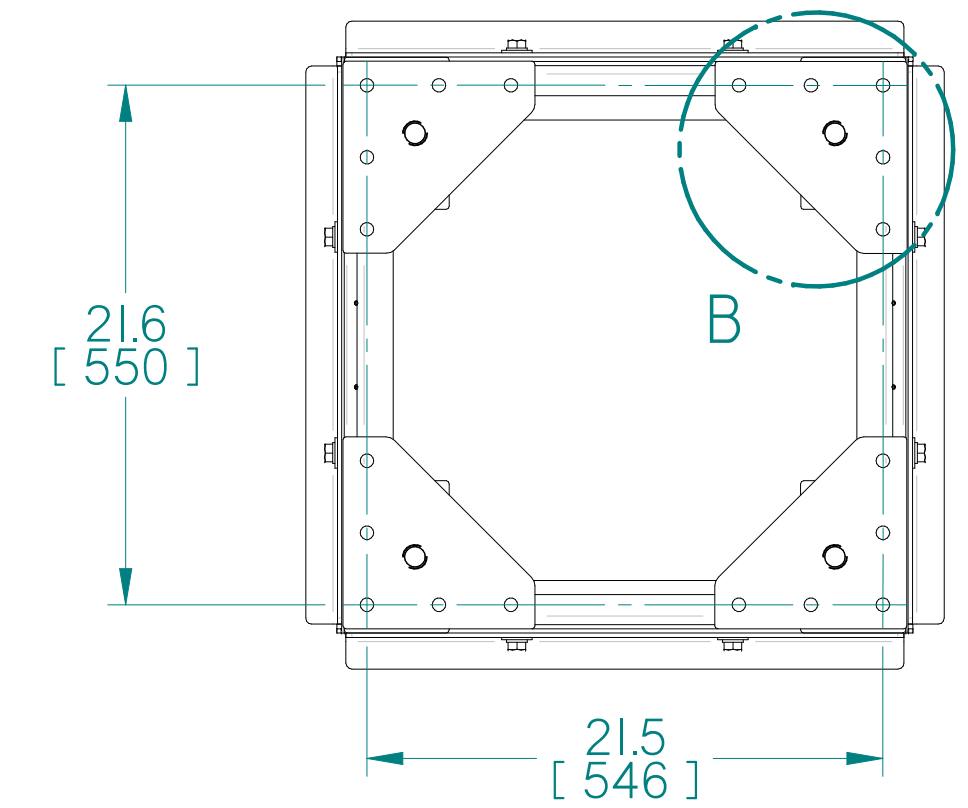
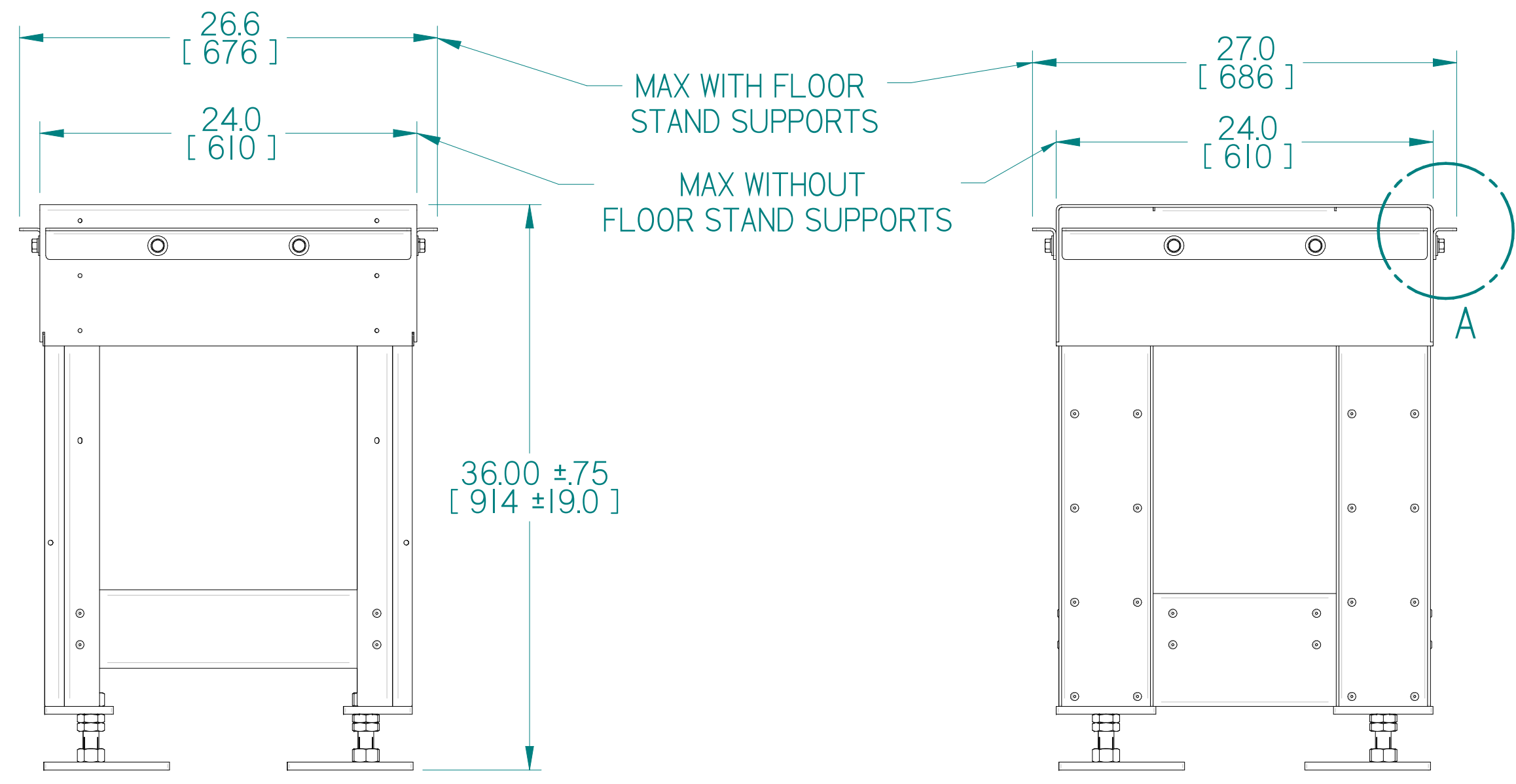
FIRST ANGLE PROJ.

OUTLINE, MOUNTING, INSTALLATION DIAGRAM
REMOTE POWER PANEL ASSEMBLY,
(2) 42-CIRCUIT PANEL BOARDS,
(1) OR (2) 400AF/225AT 3P PLUG-IN CIRCUIT BREAKERS FOR MAINS INPUT,
FRONT AND RIGHT CONFIGURATION

| | | | | | |
|----------|----------------|-----------|----------------------|------------------------|-------|
| DWN PTP | DATE 8/20/2020 | SIZE D | FSCM NO. | DWG NO. 94-MS-01099401 | REV D |
| CHK JMK | DATE 8/20/2020 | SCALE 1:4 | 94-MS-01099401-DSHT4 | SHEET 4 of 5 | |
| APVD PTP | DATE 8/20/2020 | | | | |



FLOOR TILE SUPPORTS (OPTIONAL)



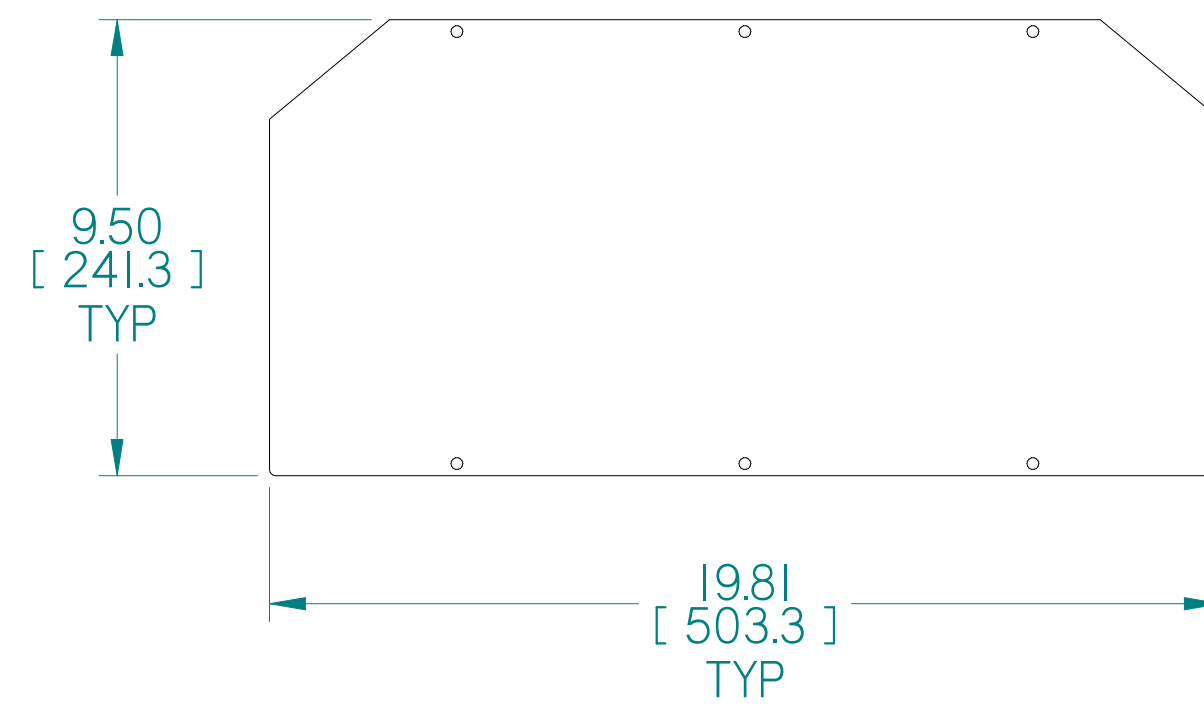
| REVISIONS | | | | |
|-----------|-----|---------------------|-----------|----------|
| ECN | REV | DESCRIPTION | DATE | APPROVED |
| - | A | NEW RELEASE | 2/12/2020 | JMK |
| - | B | UPDATED FLOOR STAND | 6/2/2020 | NEM |
| - | C | UPDATED FLOOR STAND | 8/12/2020 | PTP |
| - | D | UPDATED TABLE I | 8/20/2020 | PTP |

TABLE 2

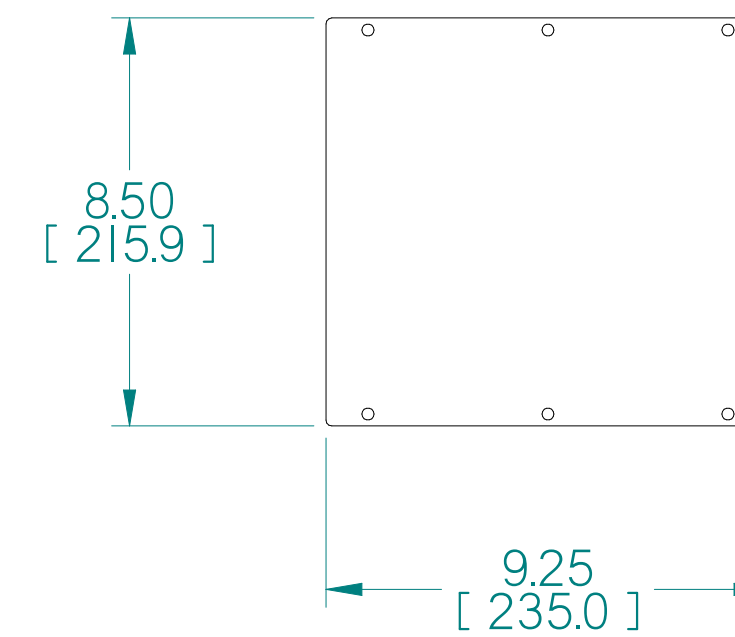
PANELBOARD OUTPUT CONDUIT LANDING PLATES
SCALE 1:4

POWER CABLE INPUT CONDUIT LANDING PLATES
SCALE 1:4

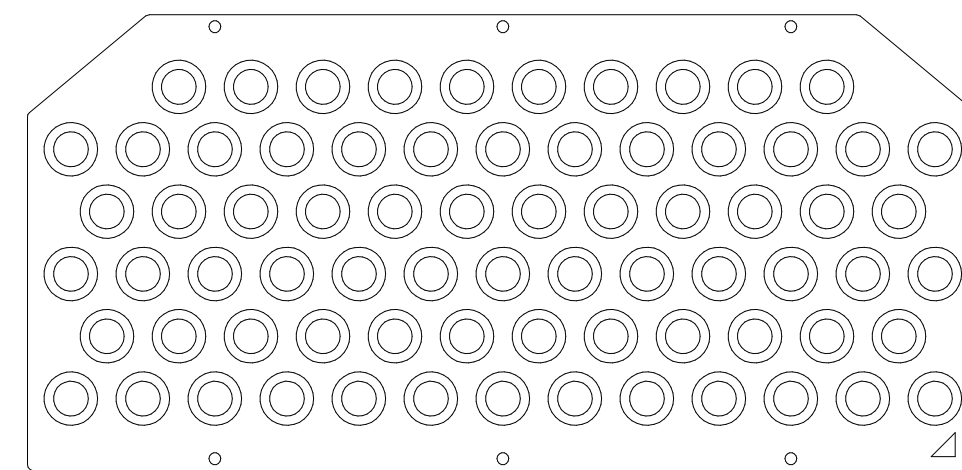
P/N 42-06-40295502
BLANK PLATE
(SHOWN HERE AT TOP EXIT)



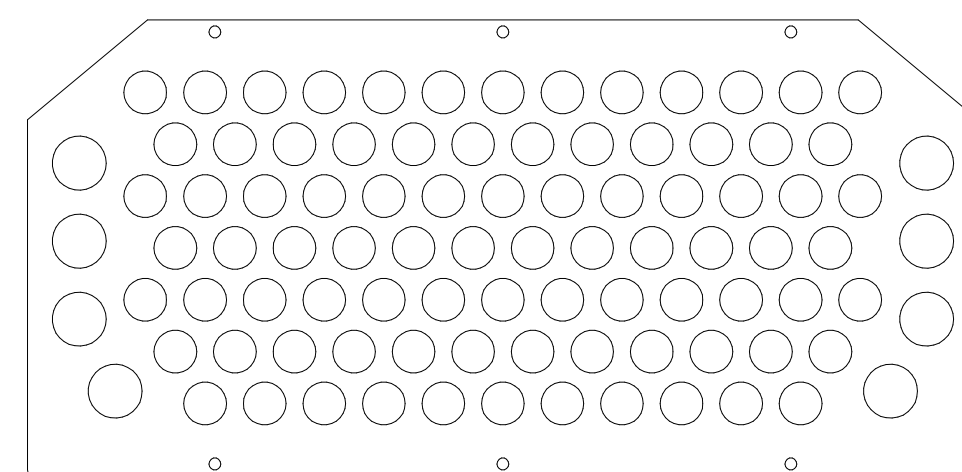
P/N 42-06-40292712
BLANK PLATE



P/N 42-06-40295506
QTY 73 3/4" X 1/2" CONCENTRIC
CONDUIT KNOCKOUTS



P/N 42-06-40295501
QTY 86 THRU HOLES FOR 1/2" CONDUIT
QTY 8 THRU HOLES FOR 3/4" CONDUIT



NOTES:

I. TABLE 2 SHOWS AVAILABLE OPTIONS FOR CONDUIT LANDING PLATES.
CONFIGURATIONS NOT SHOWN MAY BE REQUESTED AT TIME OF ORDER.

Copyright © 2020, LayerZero Power Systems, Inc.

UNLESS OTHERWISE SPECIFIED
DIMENSIONS ARE IN INCHES
DIMENSIONS IN [] ARE IN mm
DO NOT SCALE DRAWING

TOLERANCES:
.XX ± .03
.XXX ± .010
ANGULAR ± .1/2

FIRST ANGLE PROJ.

OUTLINE, MOUNTING, INSTALLATION DIAGRAM
REMOTE POWER PANEL ASSEMBLY,
(2) 42-CIRCUIT PANEL BOARDS,
(1) OR (2) 400AF/225AT 3P PLUG-IN CIRCUIT BREAKERS FOR MAINS INPUT,
FRONT AND RIGHT CONFIGURATION

| | | | | | |
|----------|----------------|-----------|----------|------------------------|--------------|
| DWN PTP | DATE 8/20/2020 | SIZE D | FSCM NO. | DWG NO. 94-MS-01099401 | REV D |
| CHK JMK | DATE 8/20/2020 | SCALE 1:1 | | 94-MS-01099401-DSHT5 | SHEET 5 of 5 |
| APVD PTP | DATE 8/20/2020 | | | | |