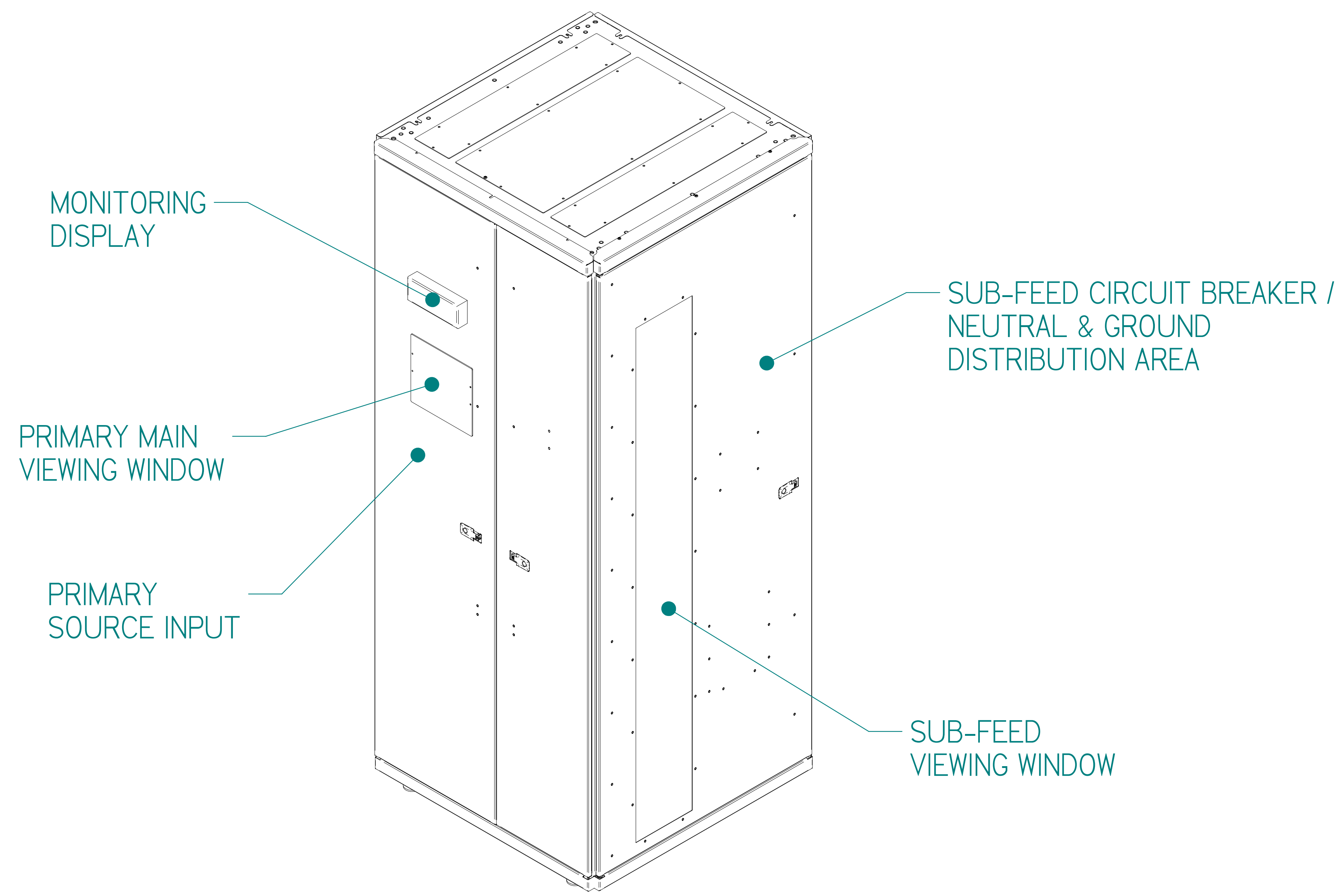


REVISIONS				
ECN	REV	DESCRIPTION	DATE	APPROVED
-	A	NEW RELEASE	8/19/2021	DRT
-	B	UPDATED TABLE I	8/23/2021	DRT



NOTES:

- FRONT ACCESS ONLY REQUIRED FOR OPERATION AND SERVICING OF INPUT CIRCUIT BREAKER. RIGHT SIDE ACCESS ONLY REQUIRED FOR SERVICING OF SUB-FEED CIRCUIT BREAKERS AND ASSOCIATED NEUTRAL AND GROUND.
- SHEETS 2 THROUGH 4 WILL SHOW THE ASSEMBLY IN VARIOUS FORMS.
- SEE SHEET 2 FOR CABLE ACCESS AREAS AND RECOMMENDED WIRE SIZE. (TABLE I)
- SAFE PANEL IS CENTER TAPPED WITH MAXIMUM TOTAL CURRENT OF 1200A. MAXIMUM CURRENT ON EITHER SIDE OF TAP IS 800A.
- FOR 400AF SUB-FEED CIRCUIT BREAKERS: MAXIMUM RATING OF ADJACENT CIRCUIT BREAKERS IS 80%. ONE EMPTY SPACE IS REQUIRED ABOVE CIRCUIT BREAKER FOR 100% RATING.

Copyright © 2021, LayerZero Power Systems, Inc.

UNLESS OTHERWISE SPECIFIED  
DIMENSIONS ARE IN INCHES  
DIMENSIONS IN [ ] ARE IN MILLIMETERS  
DO NOT SCALE DRAWING

TOLERANCES:  
.XX ± .03  
.XXX ± .010  
ANGULAR ± .1/2

FIRST ANGLE PROJ.

**LAYERZERO**  
POWER SYSTEMS, INC.

**OUTLINE DIAGRAM**  
800A, 120/208V, PRIMARY INPUT  
RDP UNIT, FRONT/RIGHT ACCESS

DWN DRT	DATE 8/23/2021	SIZE D	FSCM NO.	DWG NO. 94-MS-40680002	REV B
CHK SPJ	DATE 8/23/2021	SCALE 1:8		94-MS-40680002-BSHT1	SHEET 1 of 4
APVD DRT	DATE 8/23/2021				

REVISIONS				
ECN	REV	DESCRIPTION	DATE	APPROVED
-	A	NEW RELEASE	8/19/2021	DRT
-	B	UPDATED TABLE I	8/23/2021	DRT

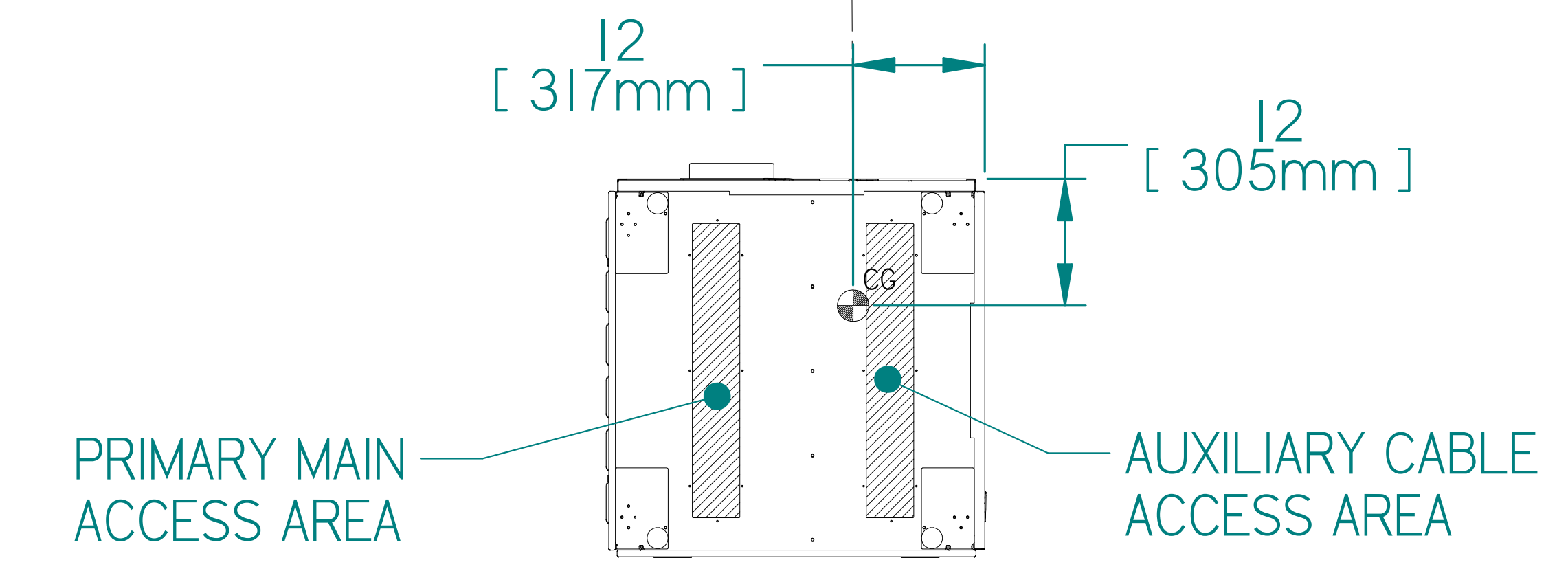
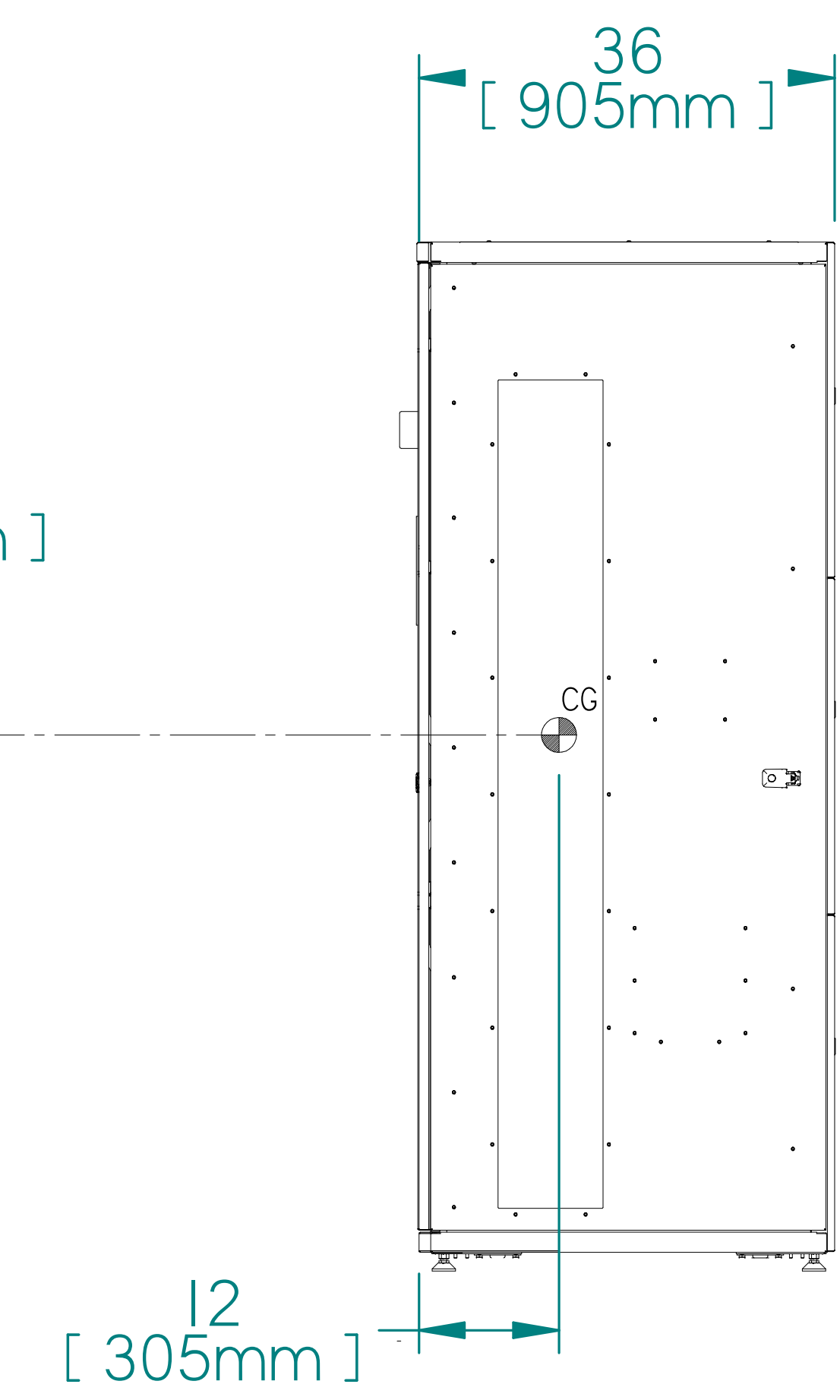
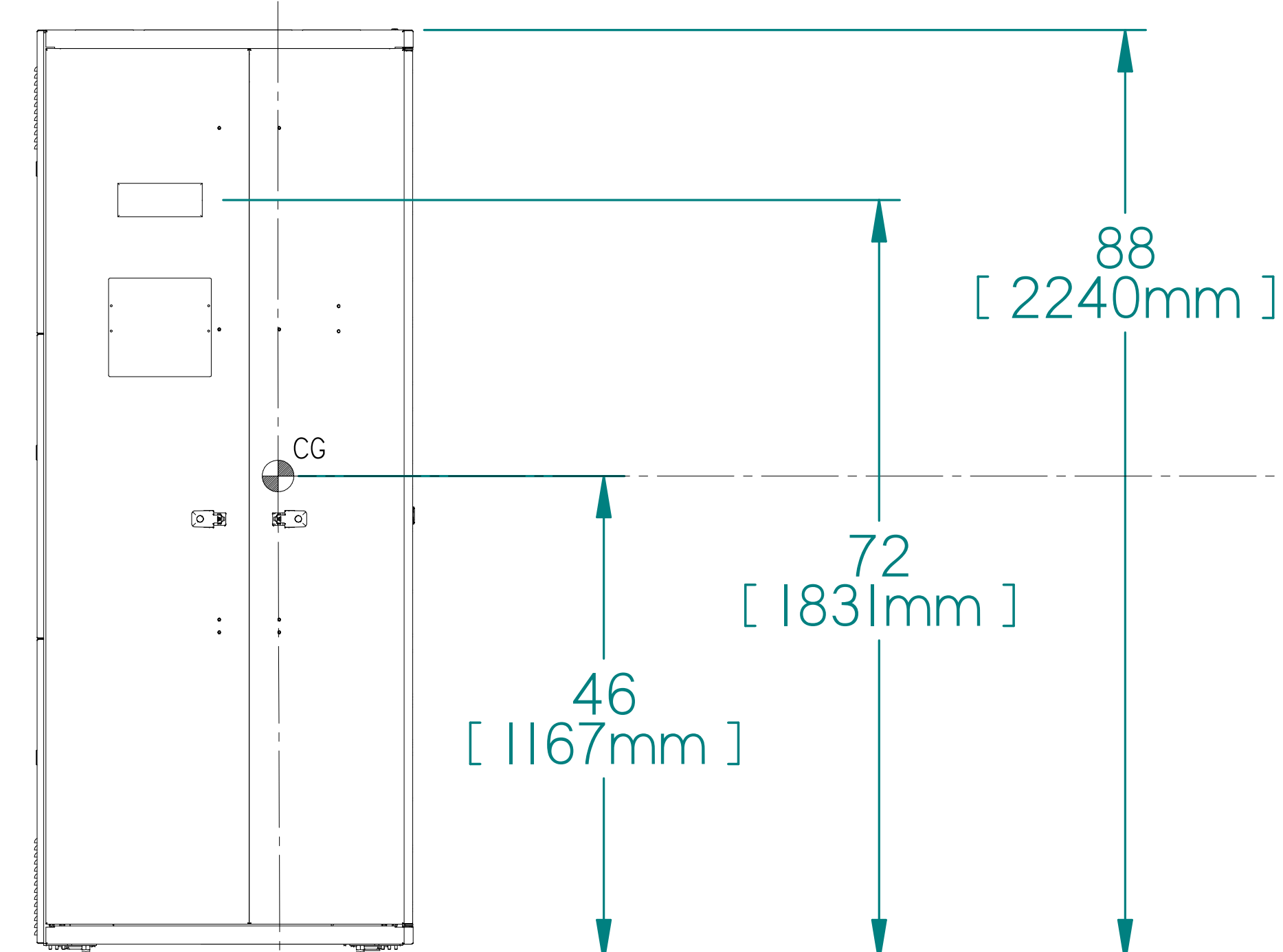
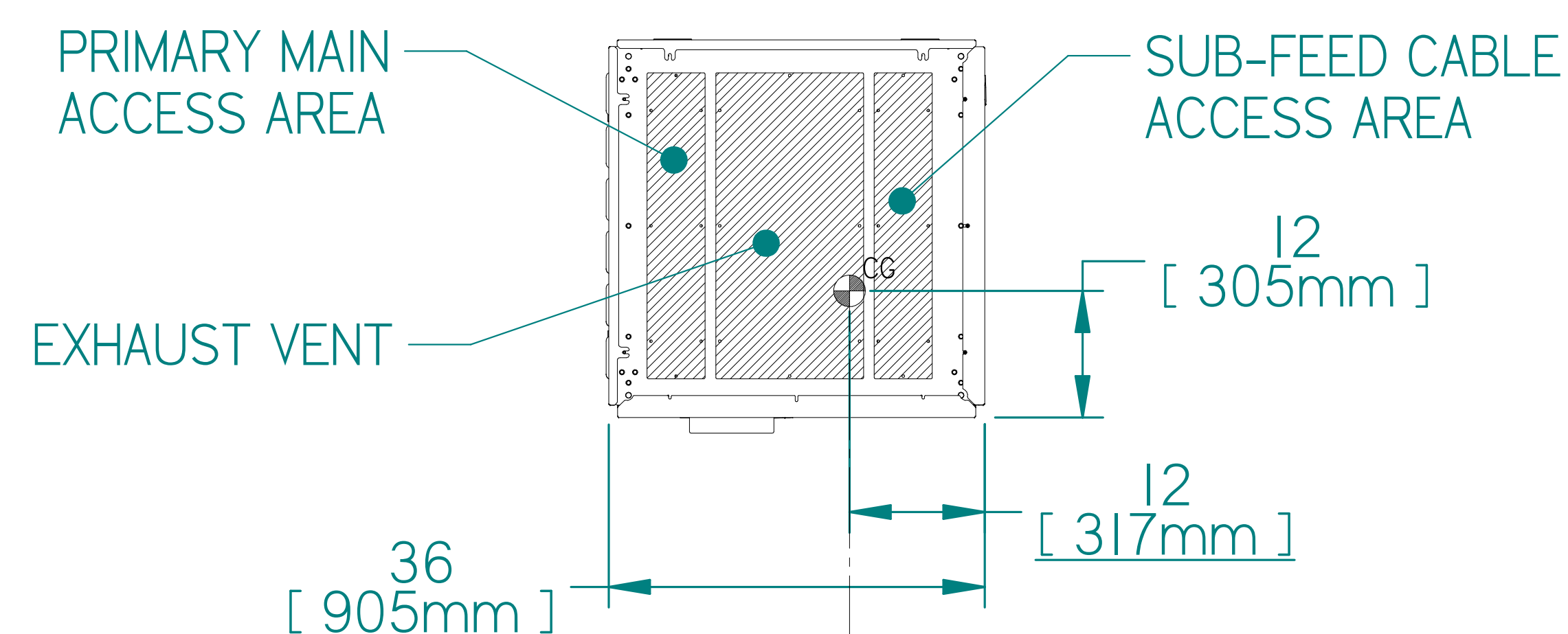


TABLE I RECOMMENDED COMPRESSION LUGS FOR INCOMING AND LOAD CABLES PROVIDED BY OTHERS		
DESCRIPTION	CABLE SIZE (75°C WIRE MIN)	COMPRESSION LUG (75°C WIRE MIN)
SOURCE INPUT	UP TO (4) 500MCM	NEMA 2-HOLE (Ø ½") ON 1-¾" CENTER BUS LANDING
GND BUS	#1/0 THRU 500MCM EA FOR GND	NEMA 2-HOLE (Ø ½") ON 1-¾" CENTER BUS LANDING
SUB-FEED CIRCUIT BREAKER	SEE BREAKER RATING	MECHANICAL LUG PER CB MFG
CONTROL WIRE	#16GA TERMINAL BLOCK W/ FERRULES	N/A

CLEARANCES:  
 FRONT: 42IN  
 REAR: 0IN  
 LEFT: 0IN  
 RIGHT: 42IN  
 TOP: 18IN

WEIGHT: 674 LB  
 (306 KG)  
 (MAX)

Copyright © 2021, LayerZero Power Systems, Inc.

UNLESS OTHERWISE SPECIFIED DIMENSIONS ARE IN INCHES DIMENSIONS IN [ ] ARE IN MILLIMETERS DO NOT SCALE DRAWING

TOLERANCES:  
 .XX ± .03  
 .XXX ± .010  
 ANGULAR ± .1/2

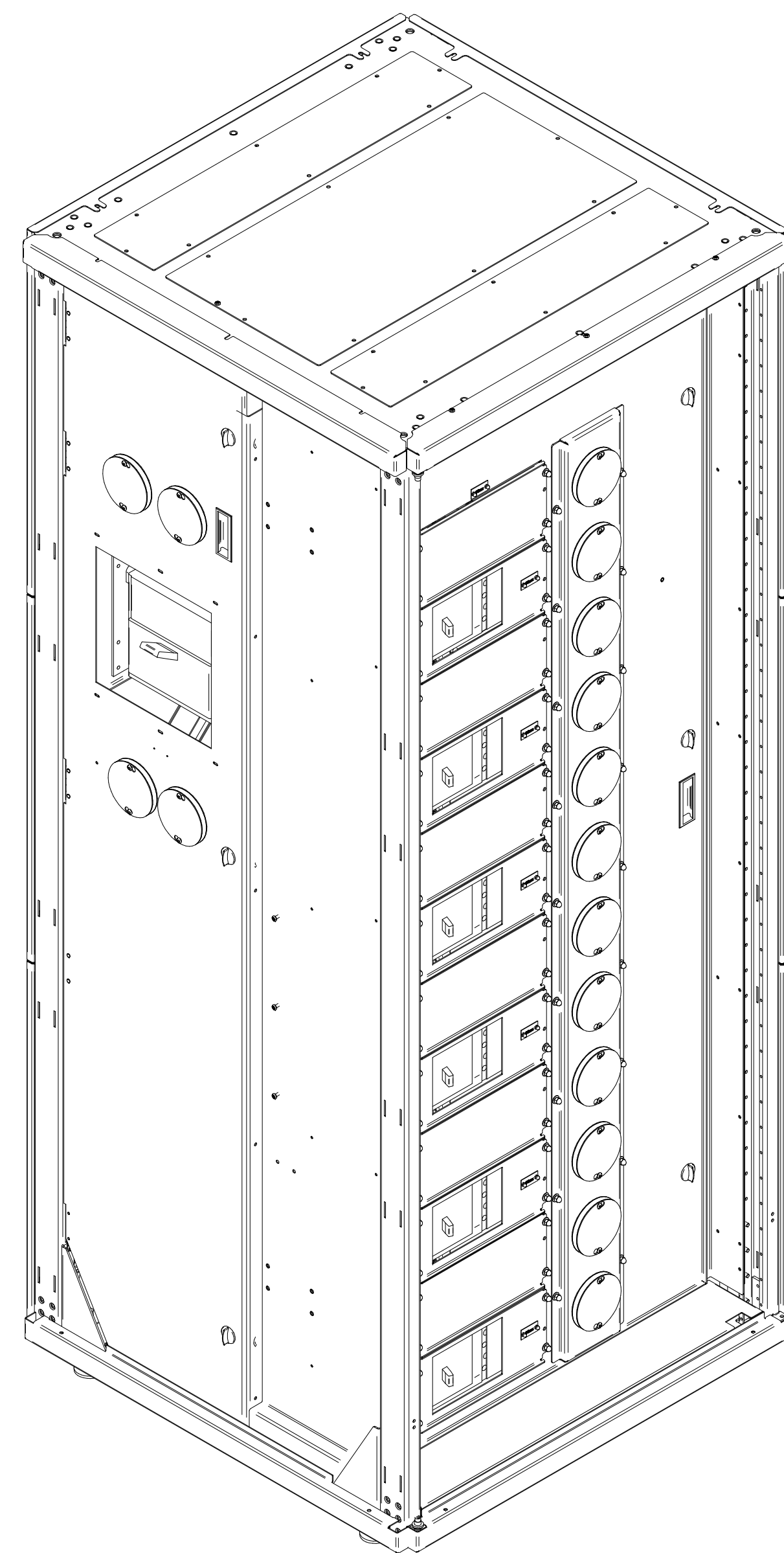
FIRST ANGLE PROJ.

**LAYERZERO**  
POWER SYSTEMS, INC.

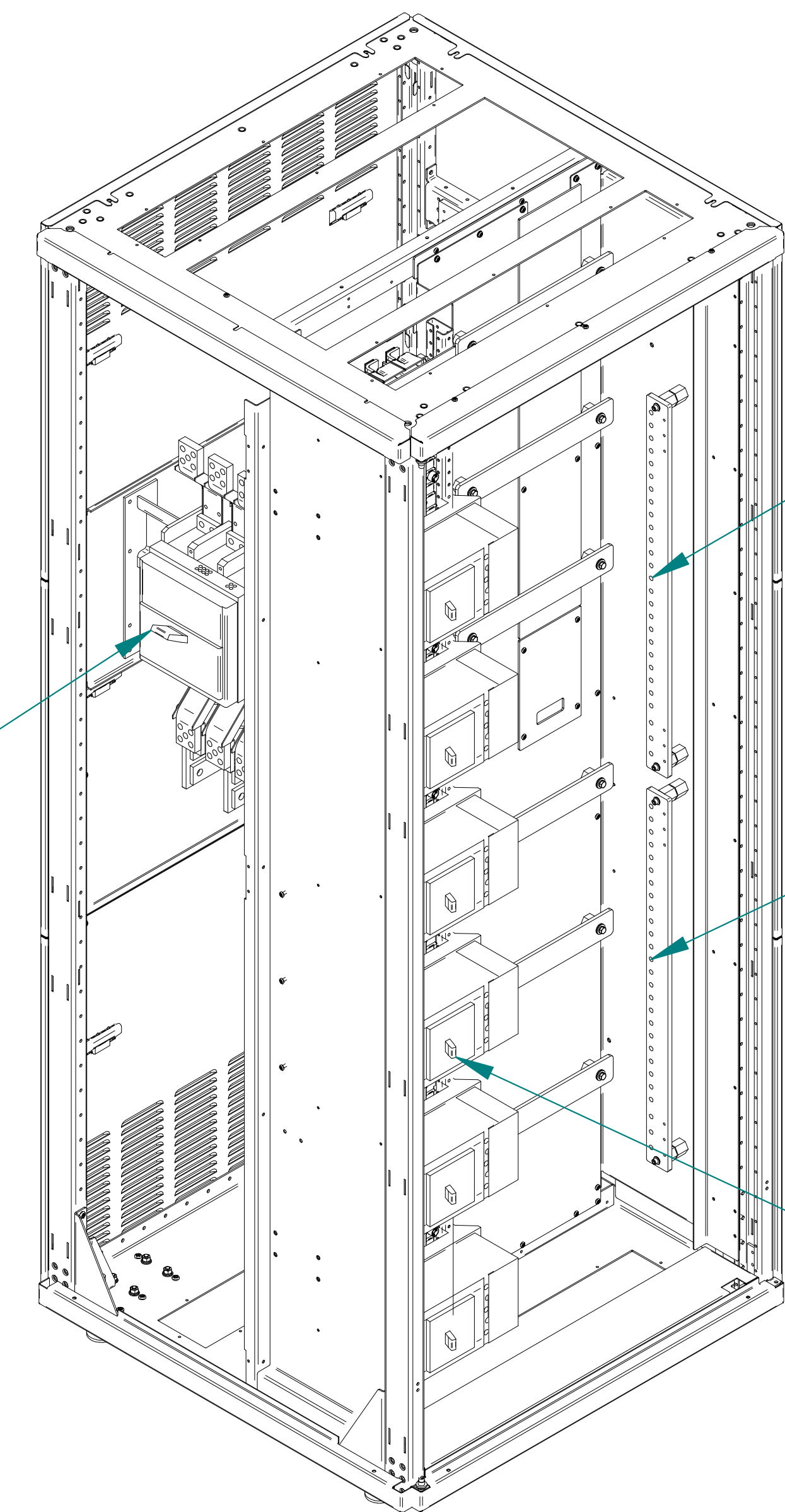
**OUTLINE DIAGRAM**  
800A, 120/208V, PRIMARY INPUT RDP UNIT, FRONT/RIGHT ACCESS

DWN DRT	DATE 8/23/2021	SIZE D	FSCM NO.	DWG NO.	REV B
CHK SPJ	DATE 8/23/2021			94-MS-40680002	
APVD DRT	DATE 8/23/2021	SCALE 1:12.5	94-MS-40680002-BSHT2	SHEET 2 of 4	

REVISIONS				
ECN	REV	DESCRIPTION	DATE	APPROVED
-	A	NEW RELEASE	8/19/2021	DRT
-	B	UPDATED TABLE 1	8/23/2021	DRT



ISOMETRIC VIEW  
OUTER DOORS REMOVED



ISOMETRIC VIEW  
OUTER DOORS AND DEAD  
FRONTS REMOVED

Copyright © 2021, LayerZero Power Systems, Inc.

UNLESS OTHERWISE SPECIFIED  
DIMENSIONS ARE IN INCHES  
DIMENSIONS IN [ ] ARE IN MILLIMETERS  
DO NOT SCALE DRAWING

TOLERANCES:  
.XX ± .03  
.XXX ± .010  
ANGULAR ± .1/2

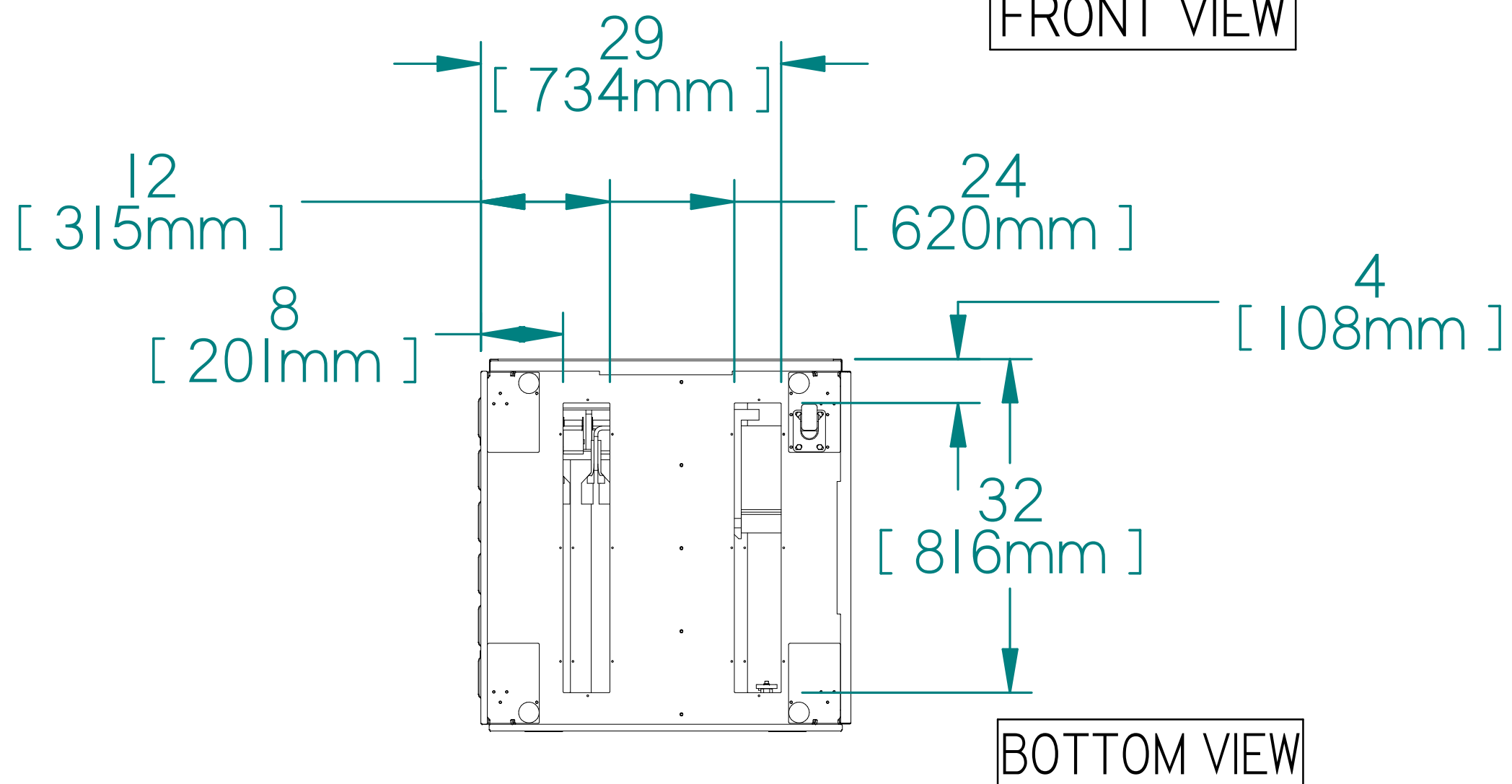
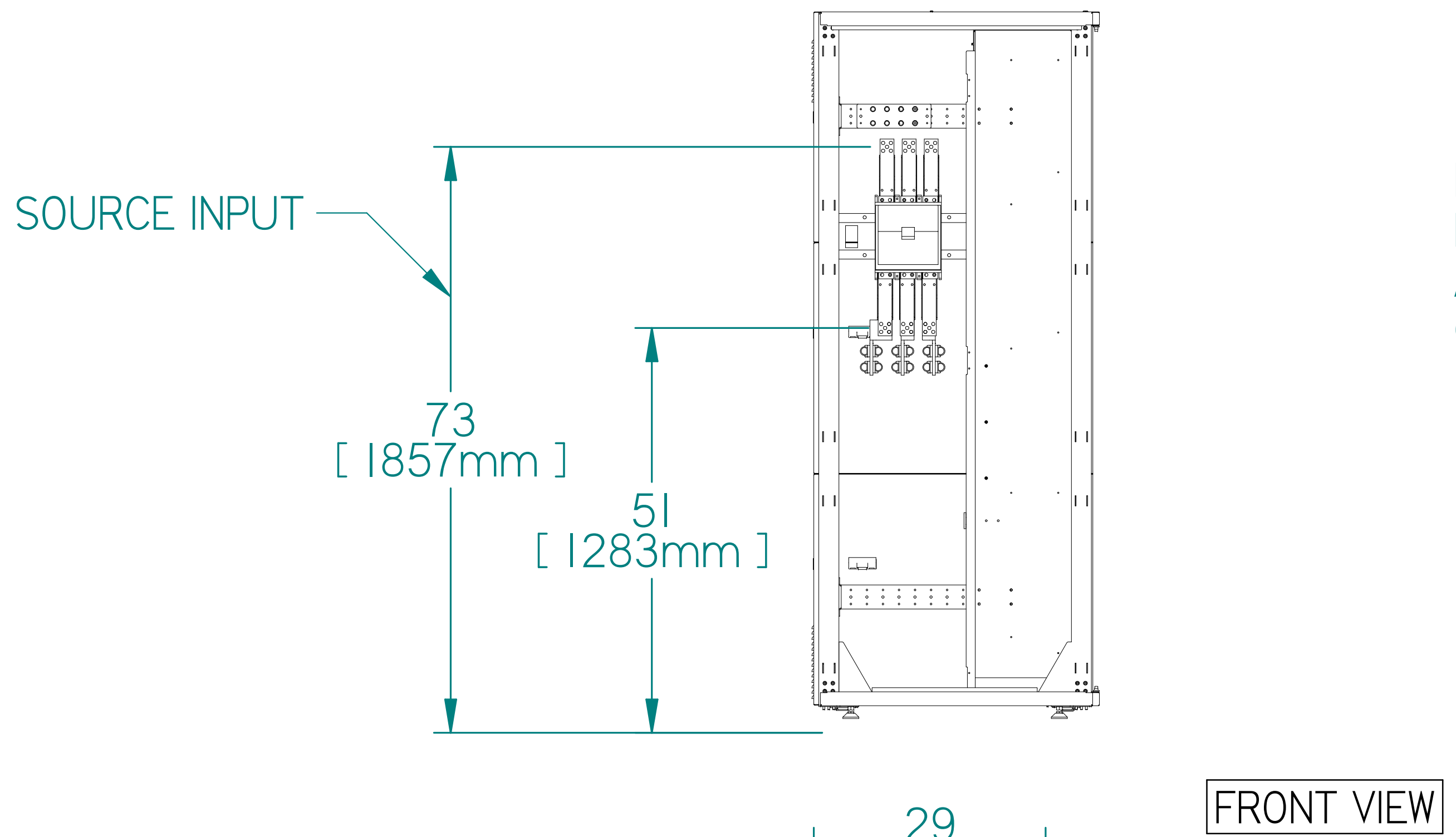
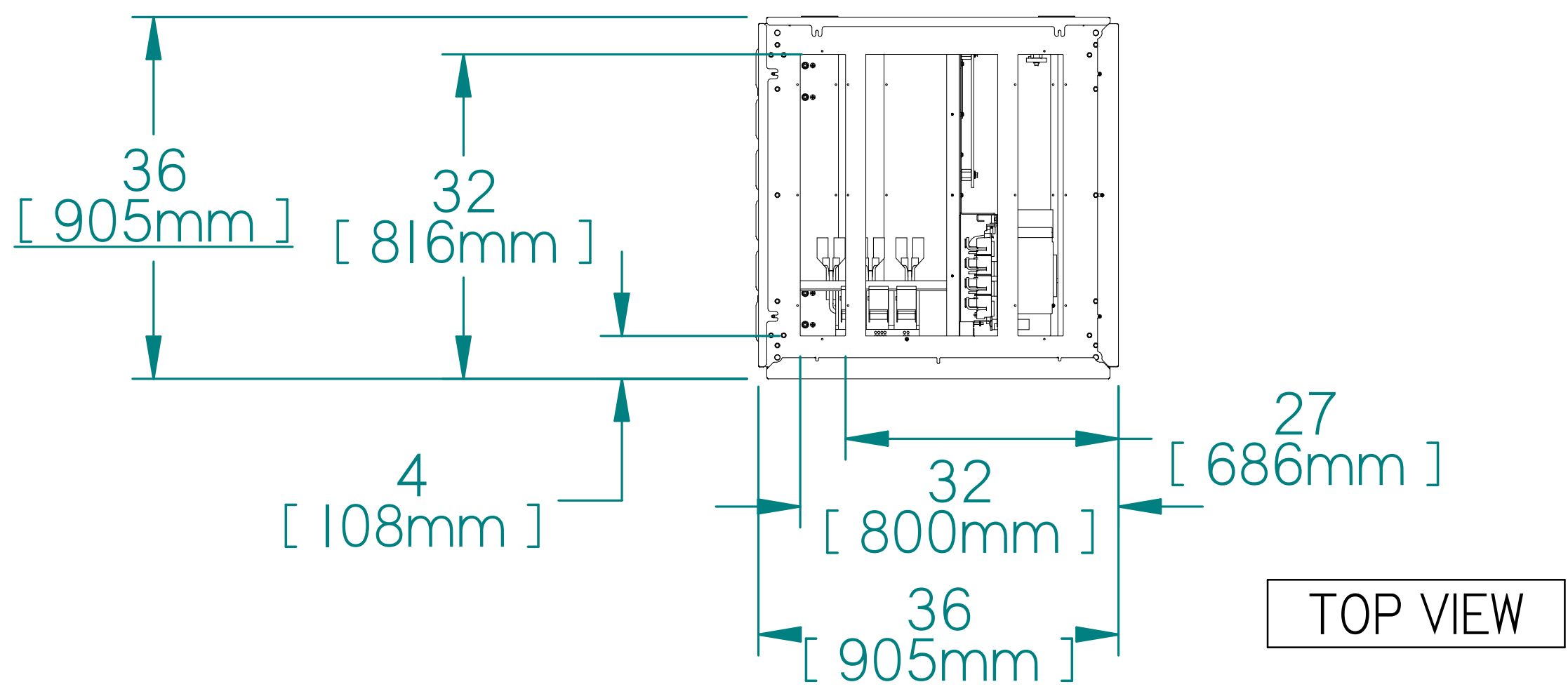
FIRST ANGLE PROJ.

**LAYERZERO**  
POWER SYSTEMS, INC.

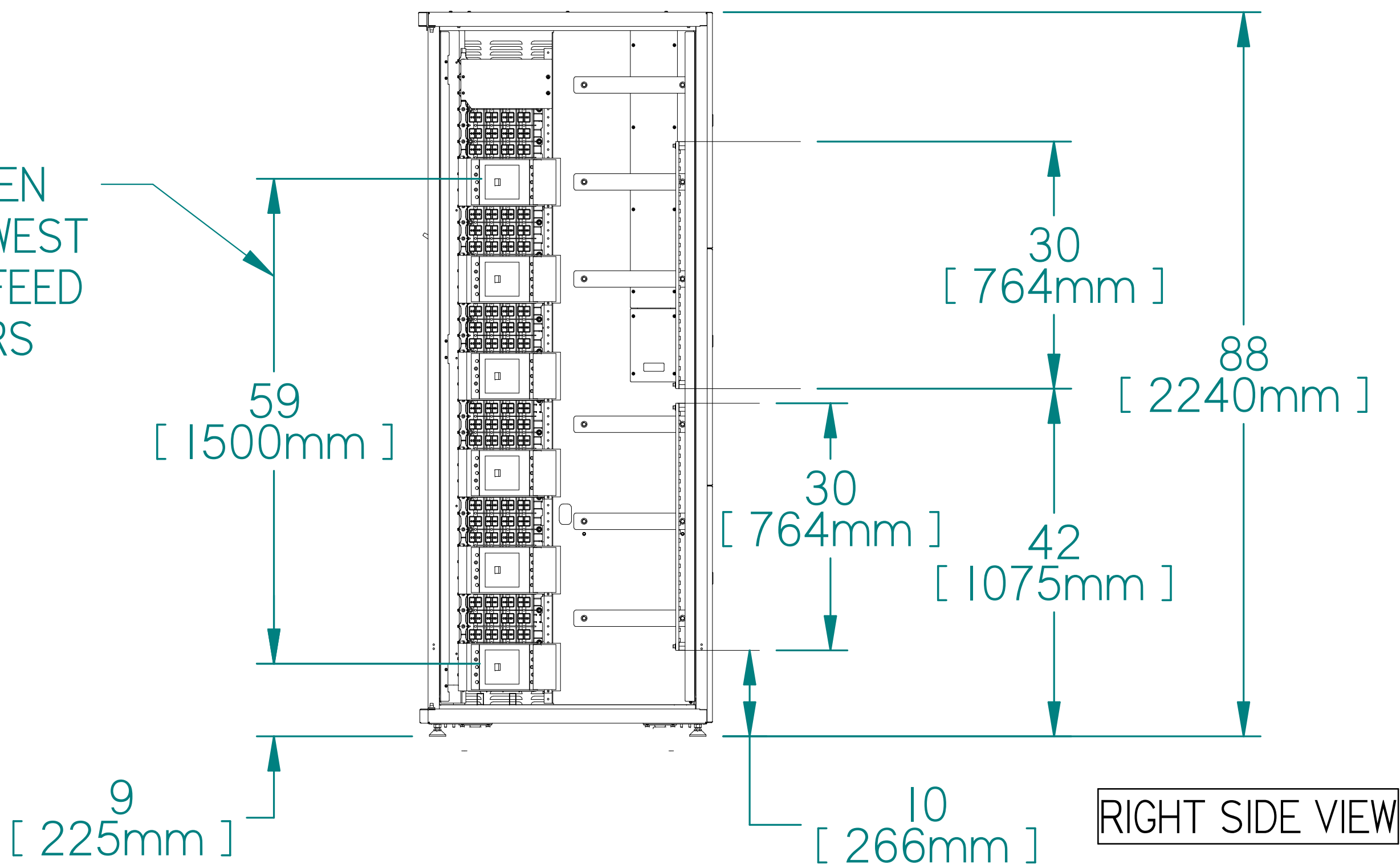
OUTLINE DIAGRAM  
800A, 120/208V, PRIMARY INPUT  
RDP UNIT, FRONT/RIGHT ACCESS

DWN DRT	DATE 8/23/2021	SIZE D	FSCM NO.	DWG NO. 94-MS-40680002	REV B
CHK SPJ	DATE 8/23/2021	SCALE 1:8		SHEET 3 of 4	
APVD DRT	DATE 8/23/2021	94-MS-40680002-BSHT3			

REVISIONS				
ECN	REV	DESCRIPTION	DATE	APPROVED
-	A	NEW RELEASE	8/19/2021	DRT
-	B	UPDATED TABLE 1	8/23/2021	DRT



DISTANCE BETWEEN HIGHEST AND LOWEST AVAILABLE SUB-FEED CIRCUIT BREAKERS



Copyright © 2021, LayerZero Power Systems, Inc.

UNLESS OTHERWISE SPECIFIED  
DIMENSIONS ARE IN INCHES  
DIMENSIONS IN [ ] ARE IN MILLIMETERS  
DO NOT SCALE DRAWING

TOLERANCES:  
.XX ± .03  
.XXX ± .010  
ANGULAR ± .1/2

FIRST ANGLE PROJ.

**LAYERZERO**  
POWER SYSTEMS, INC.

**OUTLINE DIAGRAM**  
800A, 120/208V, PRIMARY INPUT  
RDP UNIT, FRONT/RIGHT ACCESS

DWN DRT	DATE 8/23/2021	SIZE D	FSCM NO.	DWG NO. 94-MS-40680002	REV B
CHK SPJ	DATE 8/23/2021	SCALE 1:13.33		94-MS-40680002-BSHT4	SHEET 4 of 4
APVD DRT	DATE 8/23/2021				