

8

7

6

5

4

3

2

1

REVISIONS				
ECN	REV	DESCRIPTION	DATE	APPROVED
-	C	MODIFIED CLEARANCE TABLE ON SHT2	5/9/2022	SPJ
-	D	ADD 415V/50HZ RATING	9/16/2022	SPJ
-	E	ADD SHEET 6	9/29/2022	SPJ
-	F	DETAIL CUSTOMER CONTROL INTERFACE - SHT3	5/26/2023	SPJ

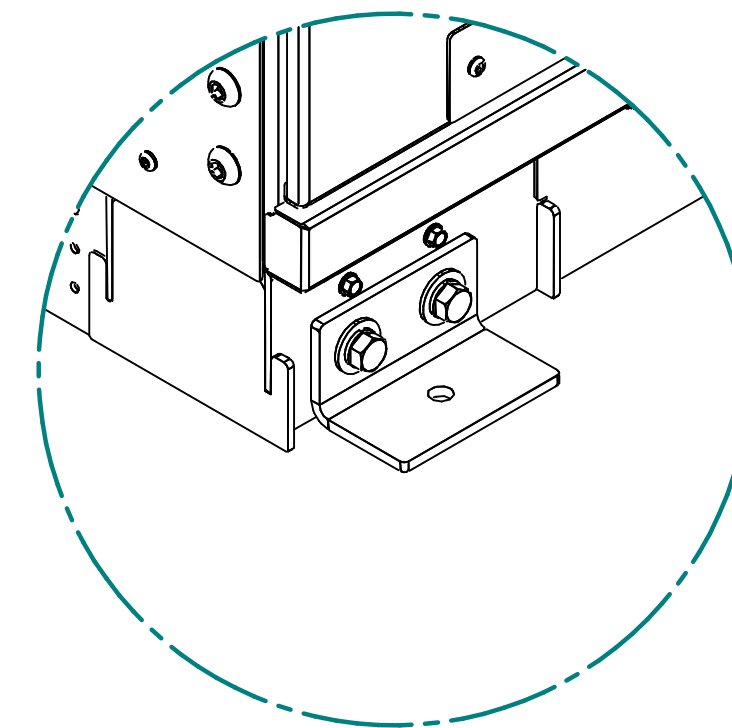
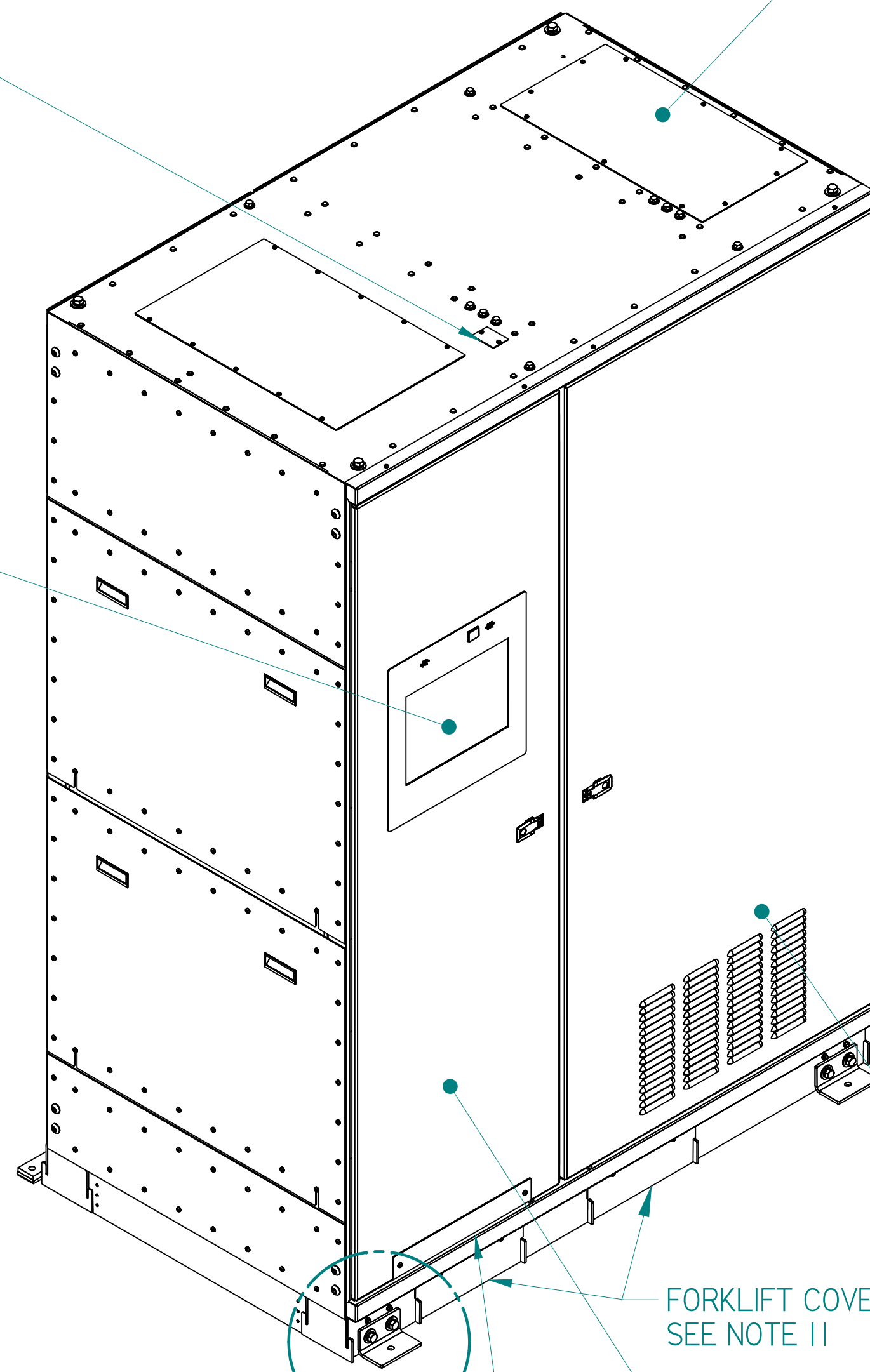
Notes:

1. Front access only required for operation and servicing of the eSTS. Source Inputs and Output load cabling may be wired from either the top or bottom.
2. The eSTS is mounted on a common frame with all internal connections factory provided. There are no shipping splits. The unit is provided with forklift provision as shown for maneuvering.
3. For the eSTS, with a 480V / 1200A / 60Hz / SMR / 3-Pole / 3 wire configuration: see Sheet 2 for Cable Access Areas and recommended wire size (Table I).
4. See Sheet 2 for anchoring locations of the eSTS. The eSTS is Seismically Qualified per ACI56 to Sds Level 2.00/2.50 with z/h = 1, Ip = 1.5. Torque tighten Seismic Brackets shown to floor Anchors at 50lb-ft (108.5N-m).
5. See Sheet 3 for description of internal components. The eSTS can be configured for either 5CB or 6CB as the sixth circuit breaker (CB302) is a redundant Output Circuit Breaker. Customer to specify CB configuration at the time of order. The design will show maximum configuration for (6) circuit breakers with the redundant output circuit breaker. All circuit breakers are Fixed Molded Case Switches.
6. See Sheet 4 for Cable I/O landing locations. Standard QTY4 of 500MCM cable per phase landing in 3IN conduit (QTY12 total) will attach directly to the Access Plates if Entry / Exit from common plate. Landing locations are sized for maximum 900MCM cable whereas 4IN conduit will be used. If larger than 500MCM cable used the Input and Output if split between top and bottom will land directly onto the access plate. If Input and Output is desired on one access area and cable greater than 500MCM consult factory for Junction box to accommodate larger conduit. See Sheet6 for standard 11IN high junction box.
7. Sheet 3 will show QTY7 Infrared Portals on the Input/Output Bay deadfront door for thermal imaging of customer cable connections. An optional Insight IR thermal imaging system is available for scanning of Input / Output Cable Connections and internal component connections. Please consult factory if this option is desired.
8. A optional mechanical Bypass Interlock mechanism is supplied standard as shown on Sheet 3.
9. A removable filter access plate is mounted on the front door to allow for filter servicing without the need for PPE.
10. A large 15 inch Touchscreen Graphical User Interface (GUI) is provided on the cabinet exterior for control and monitoring.
11. Forklift covers are provided and may be installed after final positioning.
12. Optional Seismic Mounting Cleats are available for the rear mounting anchors to slide the unit in from the front if the unit is mounted such that the rear of the cabinet is in close proximity to a wall or other equipment. Please specify option if required at the time of order. See Sheet 5 for detail.
- 13 See One-Line electrical diagram for further detail.

CONTROL CABLE ACCESS PLATE MIRROR TO BOTTOM

INPUT OUTPUT CABLE ACCESS PLATE (MIRROR TO BOTTOM) SEE NOTE 6

GUI SEE NOTE 10



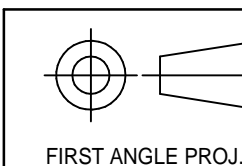
ISOMETRIC VIEW

A

Copyright © 2023, LayerZero Power Systems, Inc.

UNLESS OTHERWISE SPECIFIED DIMENSIONS ARE IN INCHES DIMENSIONS IN [] ARE IN mm DO NOT SCALE DRAWING

TOLERANCES:
.XX ± .03
.XXX ± .010
ANGULAR ± .1/2



OUTLINE, MOUNTING, INSTALLATION DIAGRAM
1000A/1200A, 480/415V, 50/60Hz, SMR, 3 WIRE, 3-P INPUT
2 Source, 5CB/6CB MCS
Series 70 eSTS

DWN SPJ	DATE 9/16/2022	SIZE D	FSCM NO.	DWG NO.	REV F
CHK JAD	DATE 9/16/2022			94-MS-40140725	
APVD SPJ	DATE 9/16/2022	SCALE 1:8	94-MS-40140725+FSHT1	SHEET 1 of 6	

8

7

6

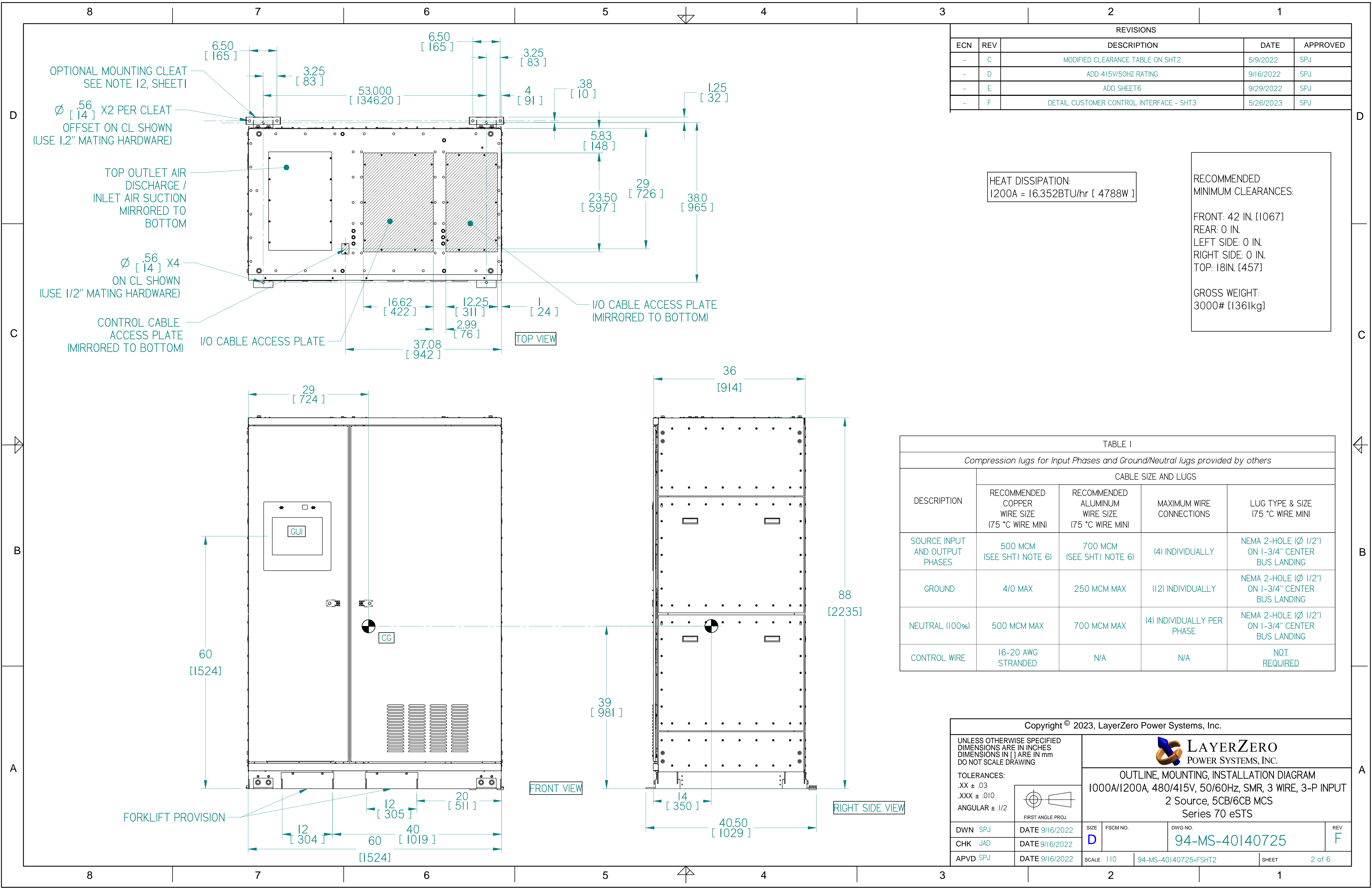
5

4

3

2

1



8

7

6

5

4

3

2

1

REVISIONS				
ECN	REV	DESCRIPTION	DATE	APPROVED
-	C	MODIFIED CLEARANCE TABLE ON SHT2	5/9/2022	SPJ
-	D	ADD 415V/50HZ RATING	9/16/2022	SPJ
-	E	ADD SHEET 6	9/29/2022	SPJ
-	F	DETAIL CUSTOMER CONTROL INTERFACE - SHT3	5/26/2023	SPJ

CUSTOMER CONTROL
INTERFACE AREA

CIB - CUSTOMER
INTERFACE BOARD

CIRCUIT BREAKER
TERMINAL BLOCK
CONNECTIONS

I/O CABLE SECTION
SOURCE 1

ETHERNET
WAN PORT

ISOMETRIC VIEW
WITH
EXTERIOR CABINET DOORS
REMOVED

BYPASS INTERLOCK

INFRARED
PORTALS

DETAIL B

CUSTOMER CONTROL
INTERFACE

CB302
(OPTIONAL)

I/O CABLE SECTION
SOURCE 2, OUTPUT

CIRCUIT BREAKER
SECTION

CONTROL/
HEATSINK AREA

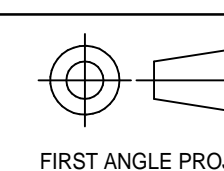
ISOMETRIC VIEW

ISOMETRIC VIEW

Copyright © 2023, LayerZero Power Systems, Inc.

UNLESS OTHERWISE SPECIFIED
DIMENSIONS ARE IN INCHES
DIMENSIONS IN [] ARE IN mm
DO NOT SCALE DRAWING

TOLERANCES:
.XX ± .03
.XXX ± .010
ANGULAR ± .1/2



OUTLINE, MOUNTING, INSTALLATION DIAGRAM
1000A/1200A, 480/415V, 50/60Hz, SMR, 3 WIRE, 3-P INPUT
2 Source, 5CB/6CB MCS
Series 70 eSTS

DWN SPJ	DATE 9/16/2022	SIZE D	FSCM NO.	DWG NO. 94-MS-40140725	REV F
CHK JAD	DATE 9/16/2022	SCALE 1:10	94-MS-40140725+FSHT3	SHEET	3 of 6
APVD SPJ	DATE 9/16/2022				

8

7

6

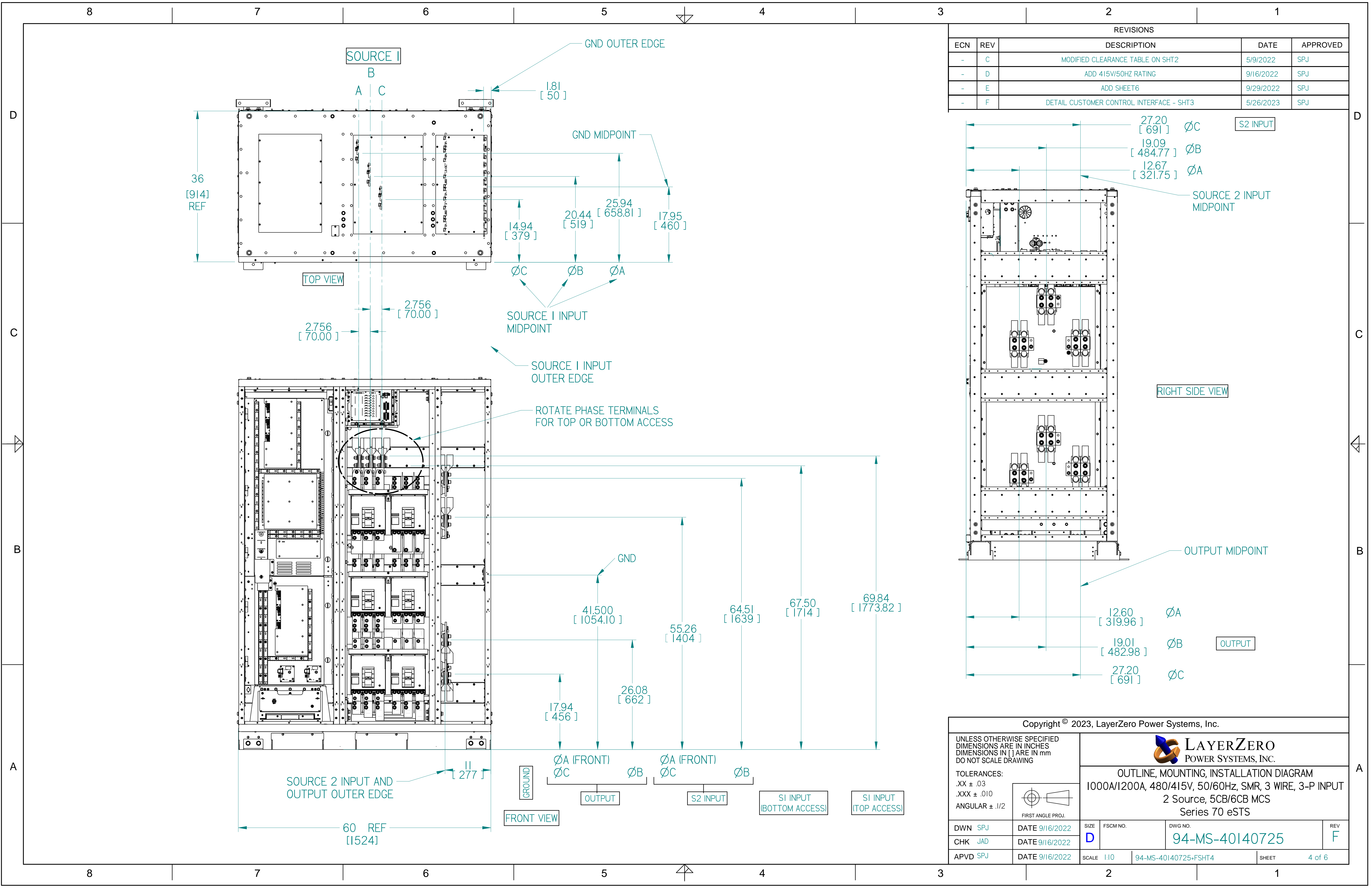
5

4

3

2

1



REVISIONS				
ECN	REV	DESCRIPTION	DATE	APPROVED
-	C	MODIFIED CLEARANCE TABLE ON SHT2	5/9/2022	SPJ
-	D	ADD 415V/50HZ RATING	9/16/2022	SPJ
-	E	ADD SHEET6	9/29/2022	SPJ
-	F	DETAIL CUSTOMER CONTROL INTERFACE - SHT3	5/26/2023	SPJ

Copyright © 2023, LayerZero Power Systems, Inc.

UNLESS OTHERWISE SPECIFIED DIMENSIONS ARE IN INCHES DIMENSIONS IN [] ARE IN mm DO NOT SCALE DRAWING

TOLERANCES:
 .XX ± .03
 .XXX ± .010
 ANGULAR ± .1/2

FIRST ANGLE PROJ.

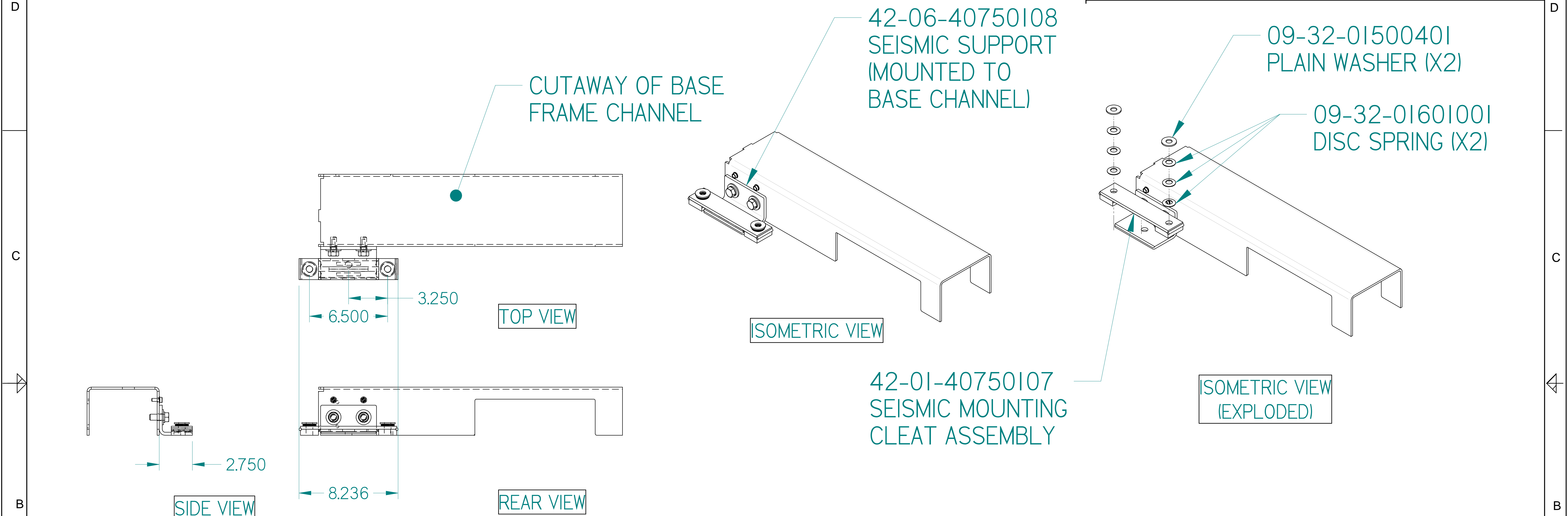
LAYERZERO
POWER SYSTEMS, INC.

OUTLINE, MOUNTING, INSTALLATION DIAGRAM
 1000A/1200A, 480/415V, 50/60Hz, SMR, 3 WIRE, 3-P INPUT
 2 Source, 5CB/6CB MCS
 Series 70 eSTS

DWN SPJ	DATE 9/16/2022	SIZE D	FSCM NO.	DWG NO. 94-MS-40140725	REV F
CHK JAD	DATE 9/16/2022	SCALE 1:10	94-MS-40140725+FSHT4	SHEET	4 of 6
APVD SPJ	DATE 9/16/2022				

42-00-40750107 SEISMIC MOUNTING CLEAT ASSEMBLY INSTRUCTION

REVISIONS				
ECN	REV	DESCRIPTION	DATE	APPROVED
-	C	MODIFIED CLEARANCE TABLE ON SHT2	5/9/2022	SPJ
-	D	ADD 415V/50HZ RATING	9/16/2022	SPJ
-	E	ADD SHEET6	9/29/2022	SPJ
-	F	DETAIL CUSTOMER CONTROL INTERFACE - SHT3	5/26/2023	SPJ



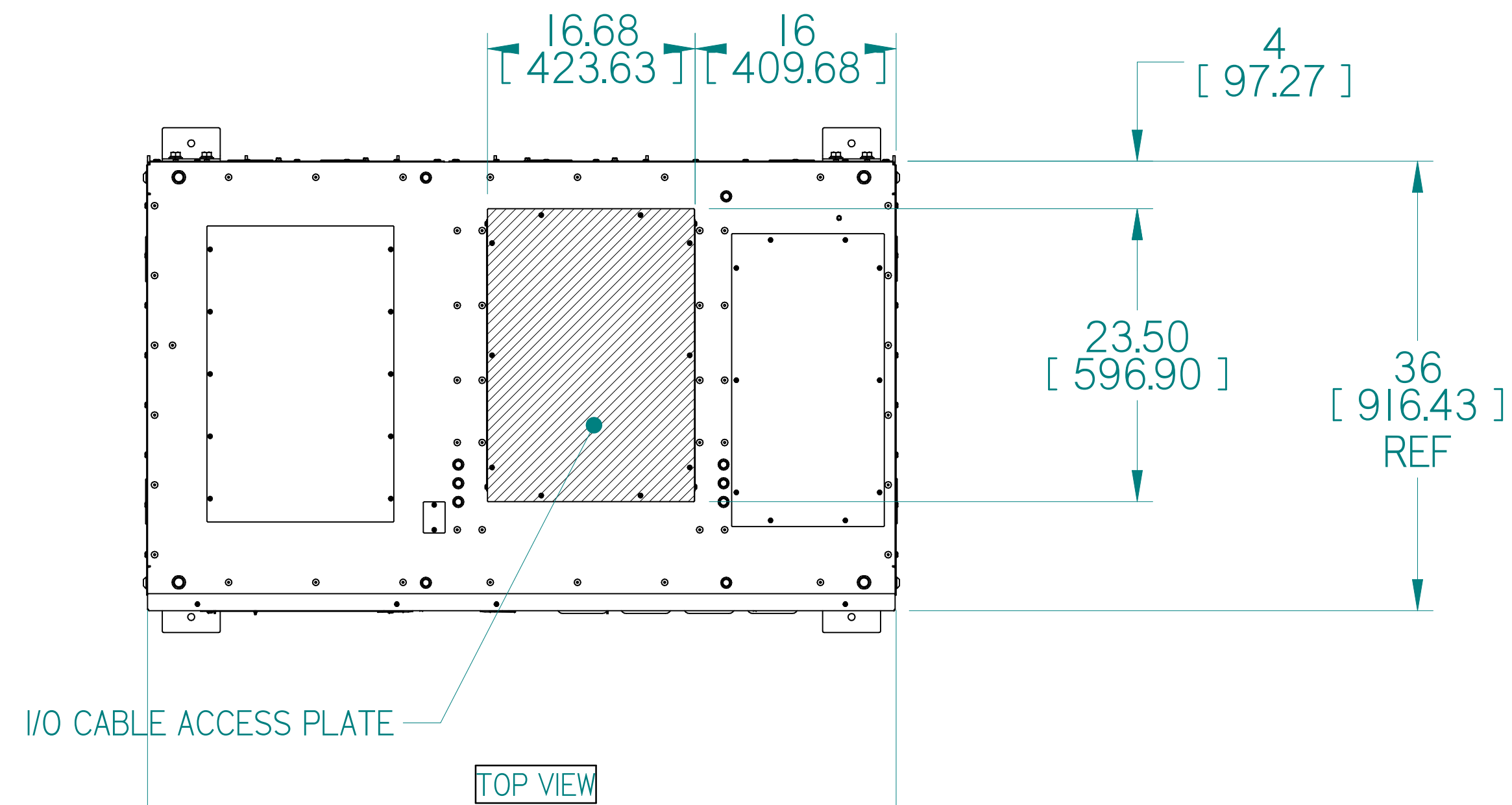
NOTES:

1. THE FOLLOWING IS TO BE USED AS A GUIDE TO INSTALL SEISMIC MOUNTING CLEATS ON LAYERZERO CABINETS. THE CLEATS ARE USED WHERE REAR ACCESS IS UNAVAILABLE AFTER FINAL INSTALLATION.
2. CLEATS WILL BE PROVIDED FOR ALL REAR SEISMIC SUPPORTS.
3. THE SEISMIC ENGINEER AT THE SITE WILL DETERMINE THE TYPES OF ANCHORS TO BE USED AND 2 ANCHORS ARE NEEDED PER CLEAT.
4. THE CLEATS ARE SIZED FOR 1/2IN (12mm) SEISMIC ANCHORS WITH A REQUIRED TORQUE FO 50LB-FT (67.69Nm).
5. LOCATE THE CLEATS OFF OF THE CENTERLINE OF THE 42-06-40750108 SEISMIC SUPPORTS ON THE BASE CHANNEL AS SHOWN IN THE TOP AND SIDE VIEWS.
6. AFTER ANCHOR STUDS OR WELLS ARE INSTALLED INTO THE FLOOR MOUNT THE 42-01-40750107 SEISMIC MOUNTING CLEAT ASSEMBLY WITH DISC SPRINGS AND PLAIN WASHERS AS SHOWN IN THE EPLoded ISOMETRIC VIEW.
7. TORQUE TIGHTEN ANCHORAGE TO 50LB-FT (67.79Nm) OF TORQUE.
8. INSTALL CABINET BY SLIDING THE UNIT IN WITH THE SEISMIC SUPPORTS UNDERNEATH THE SEISMIC CLEATS. COMPLETE INSTALLATION WITH ANCHORAGE OF THE FRONT SEISMIC SUPPORTS TO TEH GROUND.

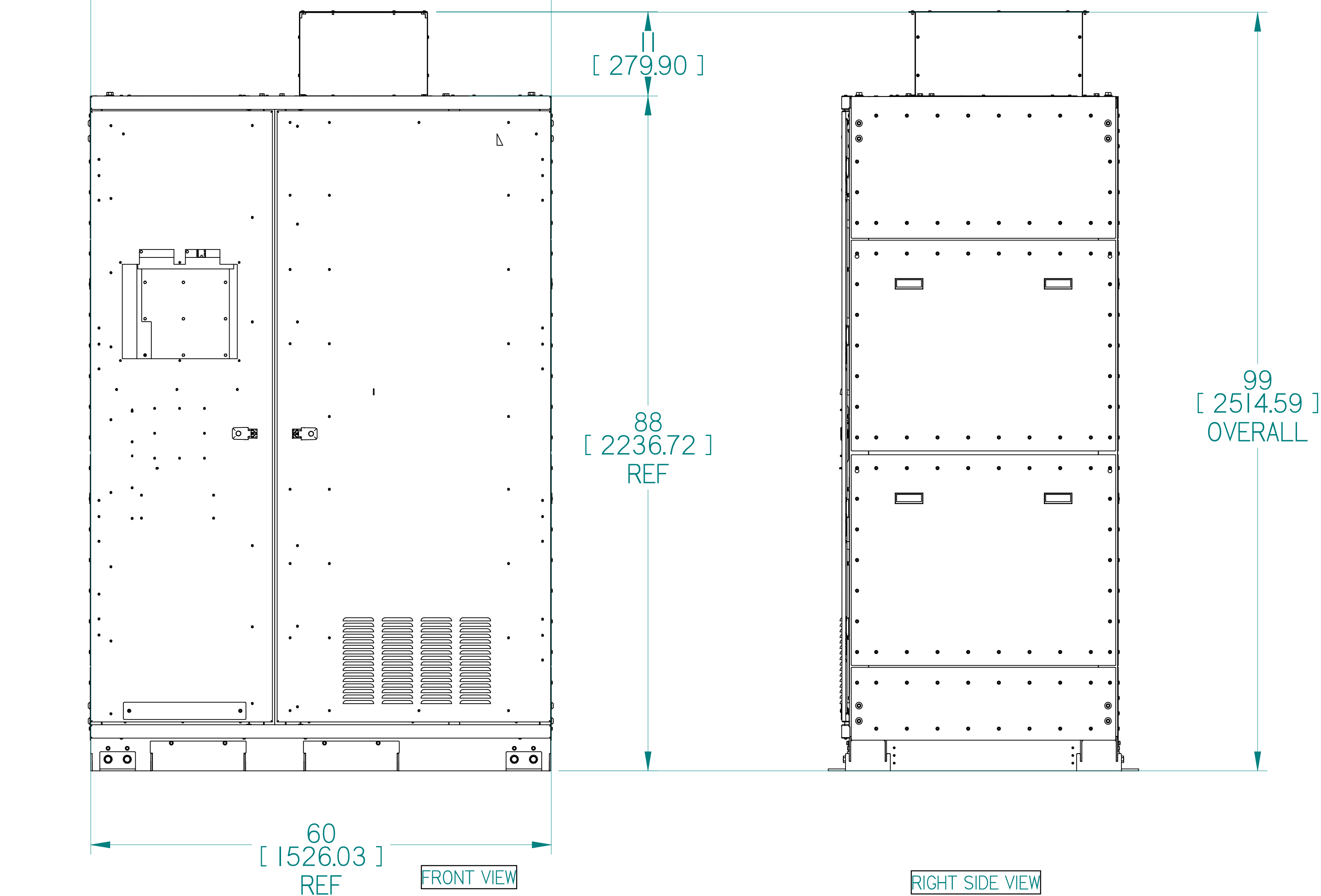
Copyright © 2023, LayerZero Power Systems, Inc.

UNLESS OTHERWISE SPECIFIED DIMENSIONS ARE IN INCHES DIMENSIONS IN [] ARE IN mm DO NOT SCALE DRAWING		<p>LAYERZERO POWER SYSTEMS, INC.</p> <p>OUTLINE, MOUNTING, INSTALLATION DIAGRAM 1000A/1200A, 480/415V, 50/60Hz, SMR, 3 WIRE, 3-P INPUT 2 Source, 5CB/6CB MCS Series 70 eSTS</p>			
TOLERANCES: .XX ± .03 .XXX ± .010 ANGULAR ± .1/2				<p>FIRST ANGLE PROJ.</p>	
DWN SPJ	DATE 9/16/2022	SIZE D	FSCM NO.	DWG NO. 94-MS-40140725	REV F
CHK JAD	DATE 9/16/2022	SCALE 1:1	94-MS-40140725+FSHT5	SHEET	5 of 6
APVD SPJ	DATE 9/16/2022				

REVISIONS				
ECN	REV	DESCRIPTION	DATE	APPROVED
-	C	MODIFIED CLEARANCE TABLE ON SHT2	5/9/2022	SPJ
-	D	ADD 415V/50HZ RATING	9/16/2022	SPJ
-	E	ADD SHEET6	9/29/2022	SPJ
-	F	DETAIL CUSTOMER CONTROL INTERFACE - SHT3	5/26/2023	SPJ



Standard IIN High Junction Box



Copyright © 2023, LayerZero Power Systems, Inc.

UNLESS OTHERWISE SPECIFIED
DIMENSIONS ARE IN INCHES
DIMENSIONS IN [] ARE IN mm
DO NOT SCALE DRAWING

TOLERANCES:
.XX ± .03
.XXX ± .010
ANGULAR ± .1/2

FIRST ANGLE PROJ.

LAYERZERO
POWER SYSTEMS, INC.

OUTLINE, MOUNTING, INSTALLATION DIAGRAM
1000A/1200A, 480/415V, 50/60Hz, SMR, 3 WIRE, 3-P INPUT
2 Source, 5CB/6CB MCS
Series 70 eSTS

DWN SPJ	DATE 9/16/2022	SIZE D	FSCM NO.	DWG NO. 94-MS-40140725	REV F
CHK JAD	DATE 9/16/2022	SCALE 1:10		94-MS-40140725+FSHT6	SHEET 6 of 6
APVD SPJ	DATE 9/16/2022				