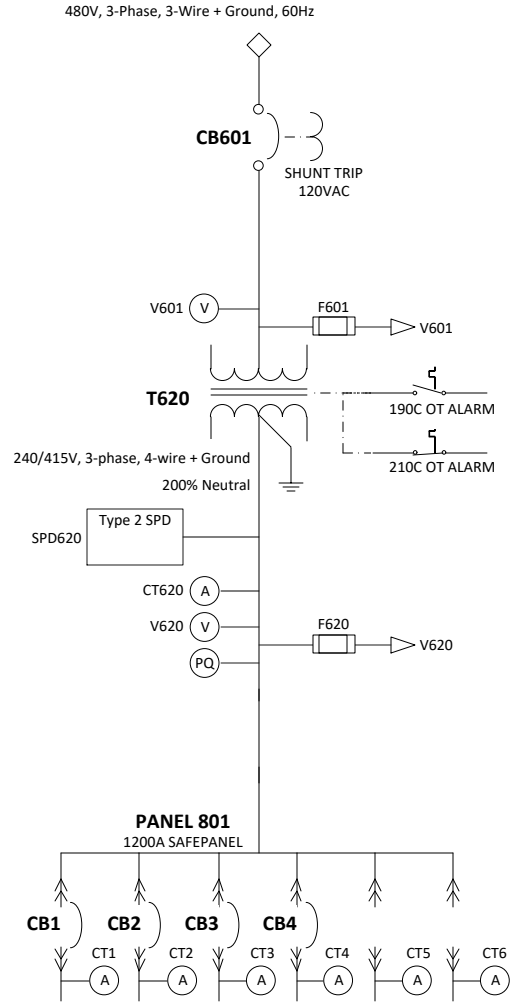


# Series 70 ePODs: Type-X

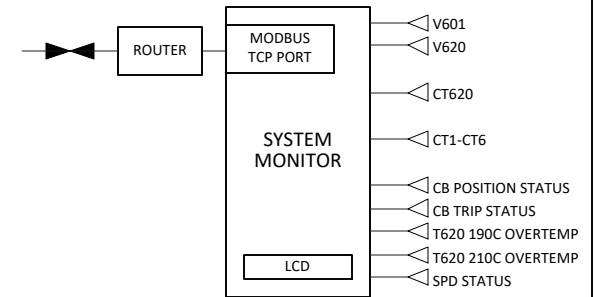


## TRANSFORMER DATA

REF NO	INPUT	OUTPUT	SIZE	K-FACTOR	TEMP RISE	EFFICIENCY CLASS	INRUSH
T620	480V, 3-Phase, 3-Wire + Ground	240/415V, 3-phase, 4-wire + Ground	500kVA	k-4	150C	99+	5X Max

## CIRCUIT BREAKER DATA

REF NO	RATING	FAULT RATING	TYPE	MOUNTING	AUXILIARY CONTACTS	SHUNT TRIPS	MFG	BREAKER SERIES
CB601	800AF / 800AT, 80%	65kAIC @ 480VAC (per UL ratings)	Electronic Trip (LSI)	Fixed	No	120VAC	ABB	Tmax T6
CB1-4	400AF / 400AT, 100%	25kAIC @ 480VAC (per UL ratings)	Electronic Trip (LSI)	Plug-in, (2) 3/0-250 MCM load lugs	Yes - monitored internally	No	ABB	Tmax T5



### ADDITIONAL INFORMATION:

- Input Connections: Two-hole Compression Lug Terminals
- Display Type: Digiware
- All subfeed harnesses are provided. Subfeed CTs are to be purchased with subfeed circuit breakers at time of subfeed circuit breaker purchase.

### SAFEPANEL NOTES

1. SAFEPANEL IS CENTER-TAPPED.
2. MAXIMUM TOTAL CURRENT: 1200A
3. MAXIMUM CURRENT ON EITHER SIDE OF TAP: 800A
4. FOR 400AF SUBFEED CIRCUIT BREAKERS:
  - a. MAXIMUM RATING OF ADJACENT CIRCUIT BREAKERS: 80%
  - b. FOR 100% RATING, ONE EMPTY SPACE IS REQUIRED ABOVE CIRCUIT BREAKER.

### LEGEND

- (A) CURRENT METERING POINT
- (V) VOLTAGE METERING POINT
- (PQ) POWER QUALITY METERING POINT



PAGE DESCRIPTION  
ONE LINE DIAGRAM, Type-X ePODs

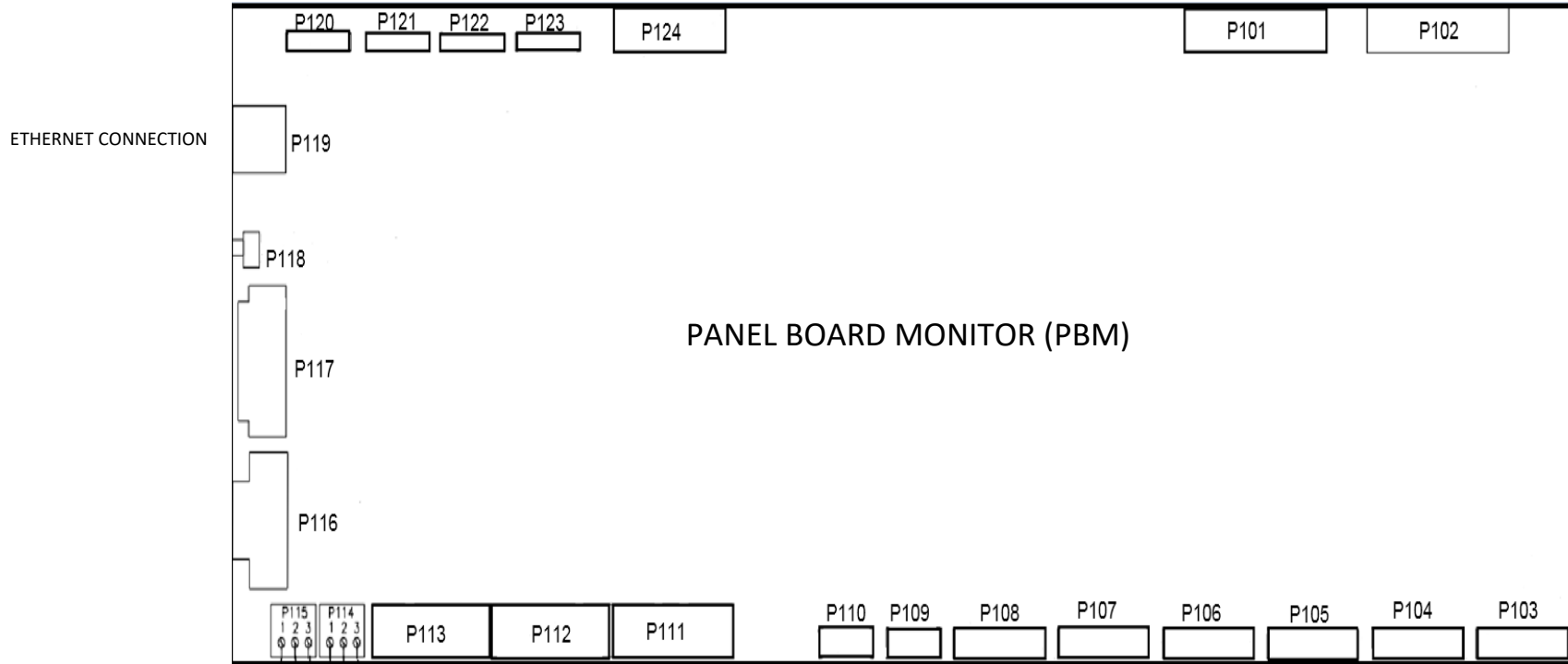
JOB	DRAWN	DATE	DWG NO	REV
LZ-11231	CHK	DATE	94-ES-11231-1	A
	APPR	DATE	SHEET 1 OF 4	

THIS PAGE INTENTIONALLY LEFT BLANK

# PANEL BOARD MONITOR (PBM)



SYMBOL FOR CLOSED CONTACTS



## PANEL BOARD MONITOR (PBM)

P115  
SUMMARY ALARM

SUMMARY ALARM



NO SUMMARY ALARM



### NOTES:

1. TERMINAL NUMBERS REFER TO TERMINALS ON PANEL BOARD MONITOR (PBM). THE PBM IS LOCATED IN THE CONTROLS/MONITORING SECTION. REFER TO THE MECHANICAL OUTLINE DRAWING FOR EXACT LOCATION.
2. TERMINALS SUITABLE FOR AWG 20-16 STRANDED COPPER WIRE. MAXIMUM ONE WAY LENGTH FOR #16: 500 ft (152 m).
3. ALL WIRING TO BE IN ACCORDANCE WITH THE NATIONAL ELECTRIC CODE AND ALL LOCAL CODES. CONTROL AND STATUS WIRING MUST BE RUN AND IN SEPARATE CONDUIT FROM POWER WIRING.
4. SUMMARY ALARM CONTACTS ARE DRY, POTENTIAL-FREE CONTACTS.  
CUSTOMER REQUIREMENTS ARE AS FOLLOWS:
  - a. Open circuit voltage  $\leq$  120 V RMS AC.
  - b. Closed circuit current  $\leq$  1 A RMS.

			PAGE DESCRIPTION	
			ONE LINE DIAGRAM, Type-X ePODs	
JOB	DRAWN	DATE	DWG NO	REV
LZ-11231	CHK	8/9/2023	94-ES-11231-1	A
	APPR	DATE	SHEET 3 OF 4	

THIS PAGE INTENTIONALLY LEFT BLANK